

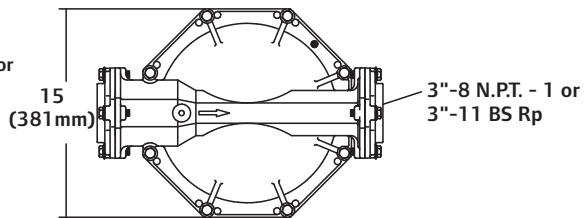
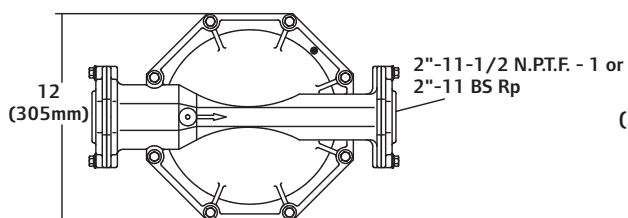
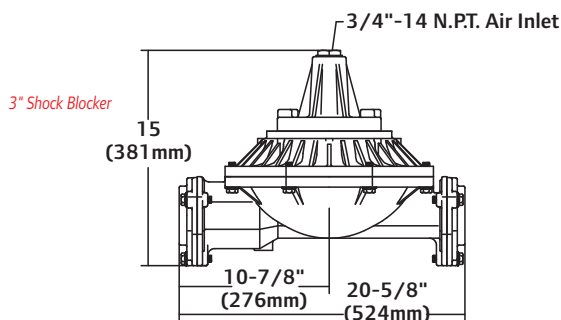
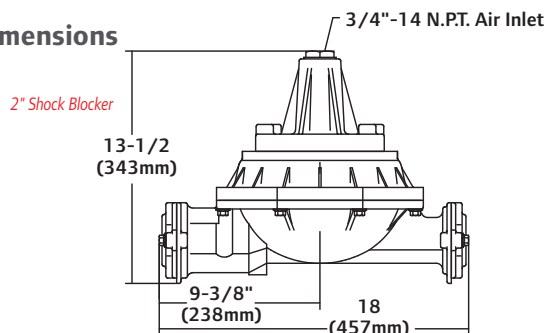
# 2" & 3" Metallic Shock Blocker



## Specifications

Pulsation Dampener Type	Metallic / Automatic
Material	See model description chart
Weight	SB20X Aluminum (fluid cap) 29 lbs (13.2 kgs) SB20X Cast Iron (fluid cap) 70 lbs (31.8 kgs) SB20X Stainless St. (fluid cap) 71 lbs (32.2 kgs) SB30X Aluminum (fluid cap) 41 lbs (18.6 kgs) SB30X Cast Iron (fluid cap) 94 lbs (42.6 kgs) SB30X Stainless St. (fluid cap) 96 lbs (43.5 kgs)
Material Inlet/Outlets	SB20X-AXX-X 2" -11-1/2 NPTF -1 SB20X-BXX-X 2" -11 BS Rp SB30X-AXX-X 3" -8 NPTF -1 SB30X-BXX-X 3" -11 BS Rp
Air Inlet	3/4" - 14 NPT (female)
Maximum Air Inlet Pressure	120 PSIG (8.3 bar)
Maximum Material Inlet Pressure	120 PSIG (8.3 bar)
Maximum Temperature Limits	200° F (93° C)
Maximum Fluid Volume	SB20X 159 in. <sup>3</sup> (2.61 lit.) SB30X 509 in. <sup>3</sup> (3.84 lit.)

## Dimensions



## Ordering

Position	1	2	3		4	5	6		7
Example:	SB	XX	X	-	X	X	X	-	X

Position 1 Model Series	Position 2 Size	Position 3 Air Body	Position 4 Thread	Position 5 Fluid Construction	Position 6 Hardware	Position 7 Diaphragm
SB- Shock Blocker	20 - 2" 30 - 3"	A - Aluminum C - Cast Iron* S - Stainless Steel	A - NPT B - BSP	A - Aluminum C - Cast Iron S - Stainless Steel	S - Stainless (304) P - Plated Steel	A - Santoprene G - Nitrile T - PTFE V - Viton

\* Available with 2" model only