

3000 Series filters

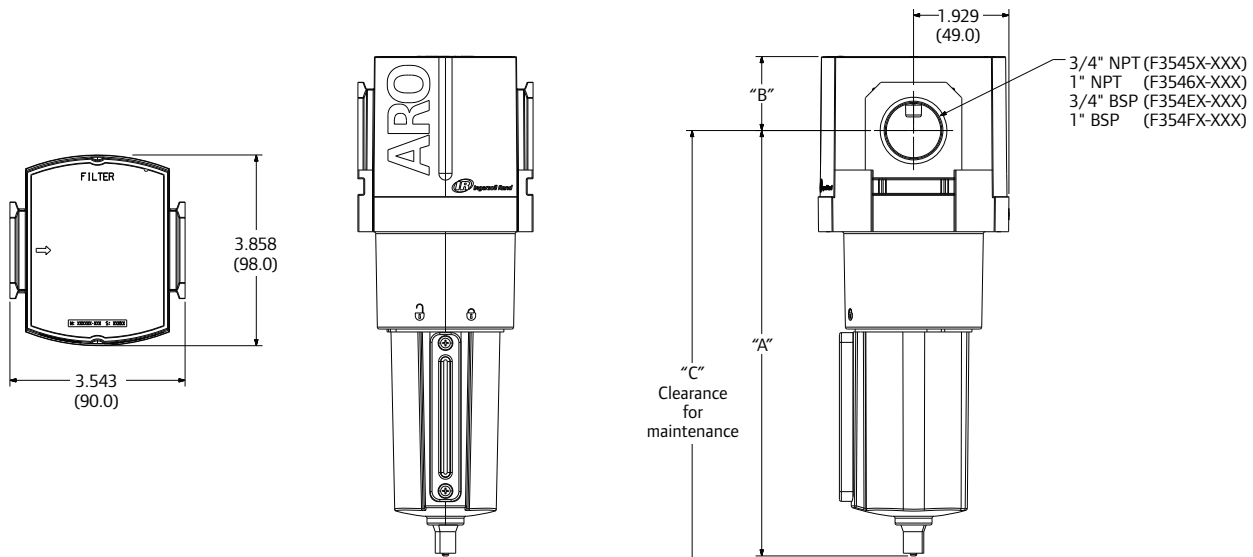
3/4" and 1" Ports

Technical data	
Metal bowl	Aluminum
Metal bowl sight glass	Nylon
Filter body	Aluminum
Manual drain	Brass + nitrile
Auto drain	Acetal
Standard filter	Polyethylene
Coalescing filter	HEPA paper + felt
Seals	Nitrile
Filter baffle	Acetal
	METAL / METAL W/ SIGHT GLASS
Max inlet pressure (psi)	250
Temperature range (F)	23 – 175
Bowl cap — manual drain (oz)	5.3
Bowl cap — auto drain (oz)	5.9
Bowl cap — coal manual drain	4.7
Bowl cap — coal auto drain	5.2
Flow capacity — 3/4" port*	288 scfm
Flow capacity — 1" port*	353 scfm

*Inlet pressure 90 psi (6.2 bar) with 10 psi drop (0.7 bar)



3000 Series



MODEL	A (MM)	C (MM)	DRAIN
F354XX-XX0	8.429 (214.1)	10.929 (277.6)	MANUAL
F354XX-XX1	9.315 (236.6)	11.815 (300.1)	AUTOMATIC

MODEL	B (MM)	SERVICE INDICATOR
F354X1-XXX	1.496 (38.0)	NONE
F354X2-XXX	2.165 (55.0)	MECHANICAL

How to order

To configure the desired part number, use the chart below to select the port size, thread type, and configuration options.

Port size	Base model				
3/4"	F354	5	X - X X X		
1"	F354	6	X - X X X		

Note: Some menu combinations not available. Please consult price book to verify. Popular options are shown in **red** below.

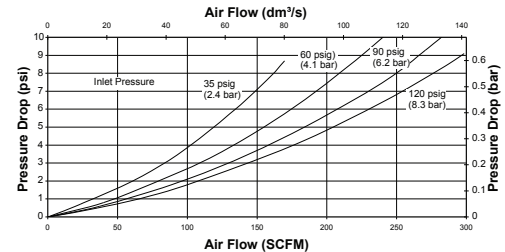
Thread type	Service indicator	Filter element	Bowl option	Drain option
5 3/4" NPT	1 None	3 0.3-Micron coalescing	1 Metal w/ sight glass	0 Manual
6 1" NPT	2 Mechanical (standard w/ coalescing)	4 5-Micron	2 Metal	1 Automatic
E 3/4" BSP				
F 1" BSP				

Popular configurations

Port size NPT	Filter type	Element (microns)	Bowl cap (oz)	Service indicator	Model
MANUAL DRAIN • METAL BOWL					
3/4"	Coalescing	0.3	4.7	Mechanical	F35452-320
3/4"	Standard	5	5.3	None	F35451-420
3/4"	Standard	5	5.3	Mechanical	F35452-420
1"	Coalescing	0.3	4.7	Mechanical	F35462-320
1"	Standard	5	5.3	None	F35461-420
1"	Standard	5	5.3	Mechanical	F35462-420
MANUAL DRAIN • METAL BOWL W/ SIGHT GLASS					
3/4"	Coalescing	0.3	4.7	Mechanical	F35452-310
3/4"	Standard	5	5.3	None	F35451-410
3/4"	Standard	5	5.3	Mechanical	F35452-410
1"	Coalescing	0.3	4.7	Mechanical	F35462-310
1"	Standard	5	5.3	None	F35461-410
1"	Standard	5	5.3	Mechanical	F35462-410
AUTO DRAIN • METAL BOWL					
3/4"	Coalescing	0.3	5.2	Mechanical	F35452-321
3/4"	Standard	5	5.9	None	F35451-421
3/4"	Standard	5	5.9	Mechanical	F35452-421
1"	Coalescing	0.3	5.2	Mechanical	F35462-321
1"	Standard	5	5.9	None	F35461-421
1"	Standard	5	5.9	Mechanical	F35462-421
AUTO DRAIN • METAL BOWL W/ SIGHT GLASS					
3/4"	Coalescing	0.3	5.2	Mechanical	F35452-311
3/4"	Standard	5	5.9	None	F35451-411
3/4"	Standard	5	5.9	Mechanical	F35452-411
1"	Coalescing	0.3	5.2	Mechanical	F35462-311
1"	Standard	5	5.9	None	F35461-411
1"	Standard	5	5.9	Mechanical	F35462-411

3/4" Pressure drop test

3/4" 3000 SERIES FILTER



See page 81 for additional flow charts

Replacement parts

MODEL	DESCRIPTION
104445	5-Micron element
104446	40-Micron element
104447	0.3-Micron element
104450	Metal bowl w/ sight glass, man
104451	Metal bowl w/ sight glass, auto
104452	Filter bowl service kit
104315	Replacement auto drain*
104316	Replacement manual drain
104322	Metal bowl, manual drain
104323	Metal bowl, auto drain

* Replacement auto drains can only be used with auto drain bowls.

Accessories

See page 65 for details

MODEL	DESCRIPTION
104393-5	3/4" NPT lockout valve
104393-6	1" NPT lockout valve
104397	Modular clamp
104476-5	3/4" NPT pipe adapter
104476-6	1" NPT pipe adapter
104402	T-type wall mount
104406	L-type wall mount
104410	C-type wall mount

3000 Series regulators

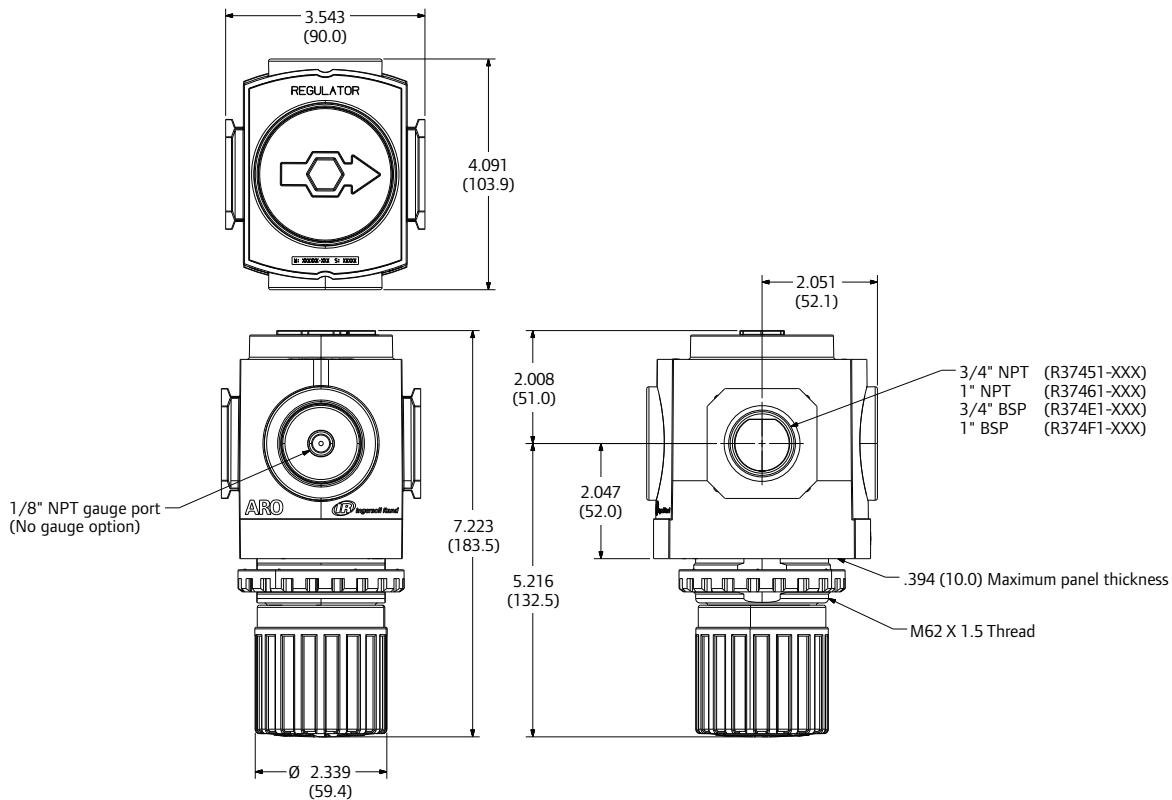
3/4" and 1" Ports

Technical data	
Diaphragm	Nitrile + nylon
Regulator body	Aluminum
Regulator valve	Nitrile + nylon
Regulator springs	Steel
Gauge cover	Nylon + polycarbonate
Regulator knob	Acetal
O-rings	Nitrile
Max inlet pressure (psi)	250
Temperature range (F)	23 – 140
Spring range options (psi)	0 – 30
	0 – 60
	0 – 140
	10 – 200
Gauge port	1/8"
Flow capacity — 3/4" port*	290 scfm
Flow capacity — 1" port*	290 scfm

*Inlet pressure 100 psi (6.9 bar), 90 psi set (6.2 bar), with 33 psi drop (2.3 bar)



Panel nut comes standard on all individual regulator units



How to order

To configure the desired part number, use the chart below to select the port size, thread type, and configuration options.

Port size	Base model				
3/4"	R374	5	1	X	X
1"	R374	6	1	X	X

Note: Some menu combinations not available. Please consult price book to verify. Popular options are shown in **red** below.

Thread type	Pressure range PSIG	Relieving option	Control option
5 3/4" NPT	1 0 – 140 (no gauge)	0 Relieving	0 Standard knob
6 1" NPT	2 0 – 60 (no gauge)	2 Non-relieving	
E 3/4" BSP	3 10 – 200 (no gauge)		
F 1" BSP	4 0 – 30 (no gauge)		
	6 0 – 140 w/ flush-mount gauge		

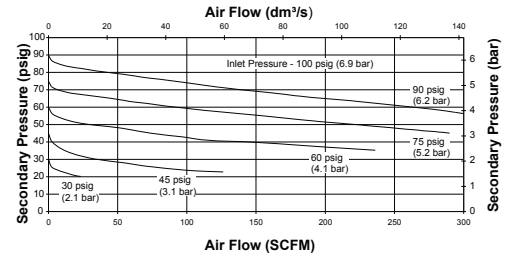
Popular configurations

Port size NPT	Pressure range psi	Gauge	Model
RELIEVING • STANDARD KNOB CONTROL			
3/4"	0 – 30	No gauge	R37451-400
3/4"	0 – 60	No gauge	R37451-200
3/4"	0 – 140	No gauge	R37451-100
3/4"	0 – 140	Flush-mount gauge	R37451-600
3/4"	10 – 200	No gauge	R37451-300
1"	0 – 30	No gauge	R37461-400
1"	0 – 60	No gauge	R37461-200
1"	0 – 140	No gauge	R37461-100
1"	0 – 140	Flush-mount gauge	R37461-600
1"	10 – 200	No gauge	R37461-300
NON-RELIEVING • STANDARD KNOB CONTROL			
3/4"	0 – 30	No gauge	R37451-420
3/4"	0 – 60	No gauge	R37451-220
3/4"	0 – 140	No gauge	R37451-120
3/4"	0 – 140	Flush-mount gauge	R37451-620
3/4"	10 – 200	No gauge	R37451-320
1"	0 – 30	No gauge	R37461-420
1"	0 – 60	No gauge	R37461-220
1"	0 – 140	No gauge	R37461-120
1"	0 – 140	Flush-mount gauge	R37461-620
1"	10 – 200	No gauge	R37461-320

Adjustment range can exceed spring rating on 0-30 psi and 0-60 psi regulators. The working range of the adjustment knob is designed to permit outlet pressures beyond the spring ratings in the 0-30psi and 0-60psi models. The adjustment knob is not designed to be a pressure limiting device. Limiting devices may be obtained only by special design. For optimal performance, regulators should not be set to ranges outside the specified spring range.

3/4" Pressure drop test

3/4" 3000 SERIES REGULATOR



See page 81 for additional flow charts

Replacement parts

MODEL	DESCRIPTION
104453	Regulator service kit (relieving)
104454	Regulator service kit (non-relieving)
104455	Tamper kit
104456	0 – 60 psi Spring
104457	0 – 140 psi Spring
104458	10 – 200 psi Spring
104334	0 – 140 psi Gauge flush mount

Accessories

See page 65 for details

MODEL	DESCRIPTION
104393-5	3/4" NPT lockout valve
104393-6	1" NPT lockout valve
104397	Modular clamp
104476-5	3/4" NPT pipe adapter
104476-6	1" NPT pipe adapter
104402	T-type wall mount
104406	L-type wall mount
104410	C-type wall mount
104419	Panel nut
104469	Gauge port block

3000 Series Lubricators

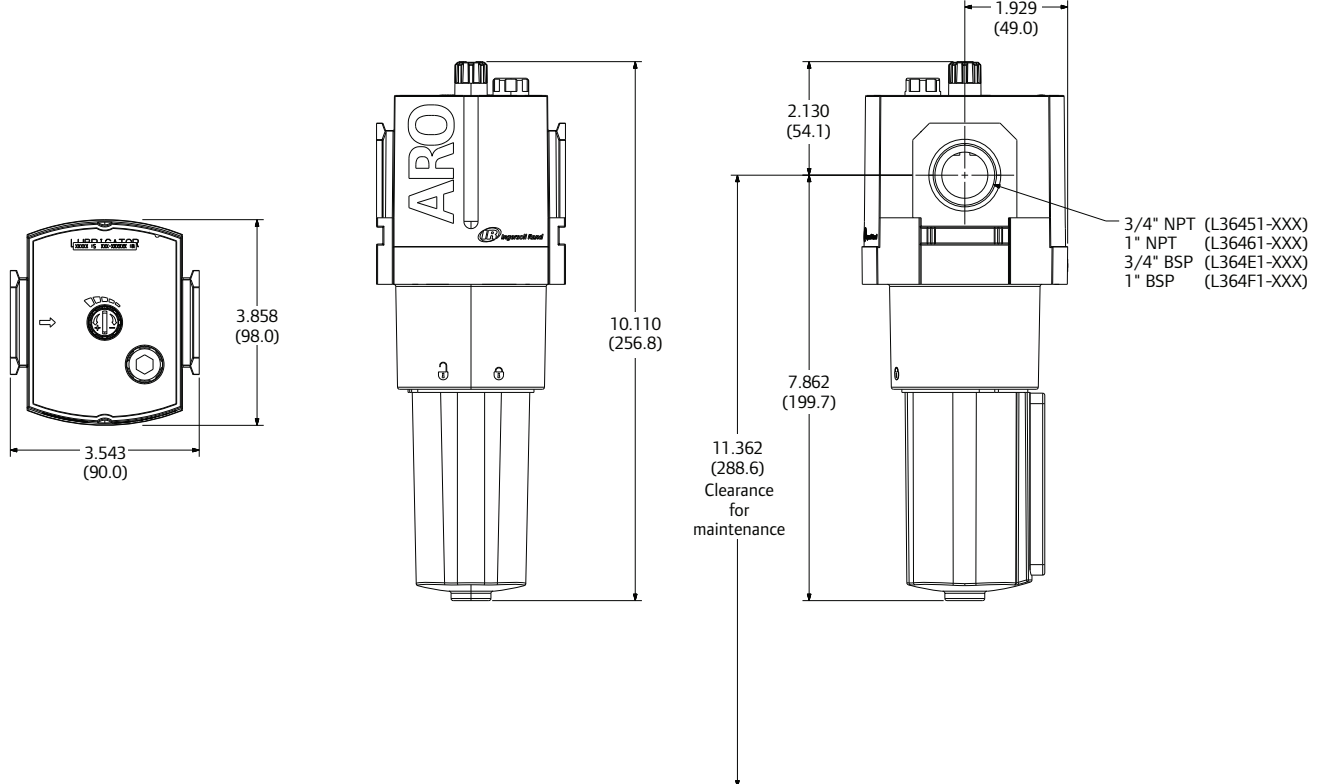
3/4" and 1" Ports

Technical data	
Lubricator body	Aluminum
Lubricator sight dome	Nylon
Lubricator inlet tube	Urethane
Seals	Nitrile
	METAL / METAL W/ SIGHT GLASS
Max inlet pressure (psi)	250
Temperature range (F)	23 – 175
Bowl capacity (oz)	3.7
Flow capacity — 3/4" port*	330 scfm
Flow capacity — 1" port*	330 scfm

*Inlet pressure 90 psi (6.2 bar) with 7 psi drop (0.5 bar)



3000 Series



How to order

To configure the desired part number, use the chart below to select the port size, thread type, and configuration options.

Port size	Base model				
3/4"	L364	5	1	X	X
1"	L364	6	1	X	X

Note: Some menu combinations not available. Please consult price book to verify. Popular options are shown in red below.

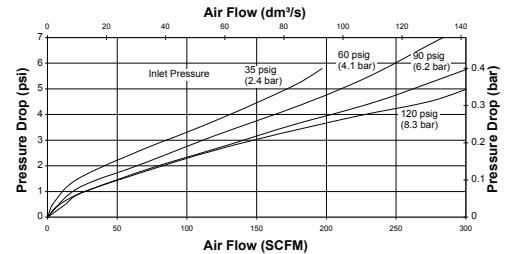
Thread type	Adjustment option	Bowl option	Fill option
5 3/4" NPT	1 Standard	1 Metal w/ sight glass	0 Standard
6 1" NPT		2 Metal	
E 3/4" BSP			
F 1" BSP			

Popular configurations

Port size NPT	Adjustment option	Bowl cap (oz)	Fill option	Model
METAL BOWL				
3/4"	Standard	3.7	Standard	L36451-120
1"	Standard	3.7	Standard	L36461-120
METAL BOWL W/ SIGHT GLASS				
3/4"	Standard	3.7	Standard	L36451-110
1"	Standard	3.7	Standard	L36461-110

3/4" Pressure drop test

3/4" 3000 SERIES LUBRICATOR



See page 81 for additional flow charts

Replacement parts

MODEL	DESCRIPTION
104465	Lubricator bowl service kit
104466	Sight dome repair kit
104337	Metal bowl
104338	Metal bowl w/ sight glass

Accessories

See page 65 for details

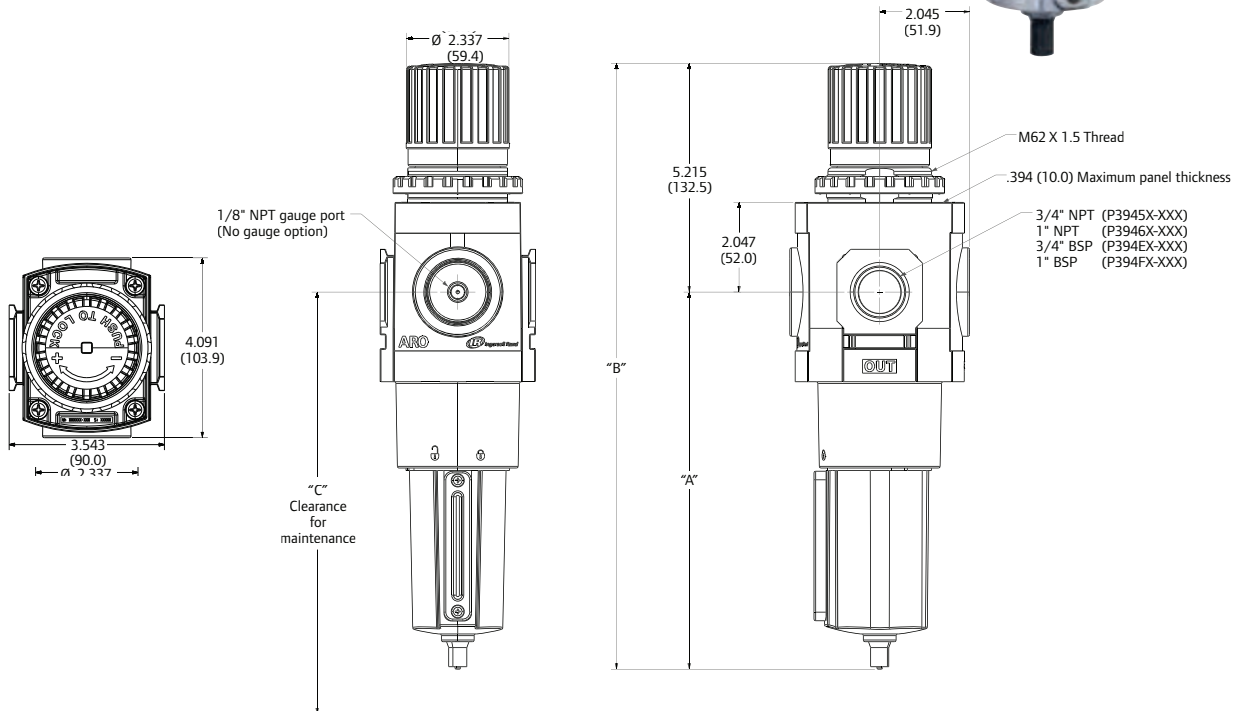
MODEL	DESCRIPTION
104393-5	3/4" NPT lockout valve
104393-6	1" NPT lockout valve
104397	Modular clamp
104476-5	3/4" NPT pipe adapter
104476-6	1" NPT pipe adapter
104402	T-type wall mount
104406	L-type wall mount
104410	C-type wall mount

3000 Series piggyback filters / regulators

3/4" and 1" Ports

Technical data	
	METAL / METAL W/ SIGHT GLASS
Max inlet pressure (psi)	250
Temperature range (F)	23 – 175
Spring range options (psi)	0 – 30
	0 – 60
	0 – 140
	10 – 175
Bowl cap — manual drain (oz)	5.3
Bowl cap — auto drain (oz)	5.9
Gauge port	1/8"
Flow capacity — 3/4" port*	236 scfm
Flow capacity — 1" port*	250 scfm

*Inlet pressure 100 psi (6.9 bar), 90 psi set (6.2 bar), with 33 psi drop (2.3 bar)



MODEL	A (MM)	B (MM)	C (MM)	DRAIN
P394XX-XX0	8.425 (214.0)	13.642 (346.5)	10.925 (277.5)	MANUAL
P394XX-XX4	9.472 (240.6]	14.689 (373.1)	11.972 (304.1)	AUTOMATIC

3000 Series

How to order

To configure the desired part number, use the chart below to select the port size, thread type, and configuration options.

Port size	Base model					
3/4"	P394	5	X	X	X	X
1"	P394	6	X	X	X	X

Note: Some menu combinations not available. Please consult price book to verify. Popular options are shown in red below.

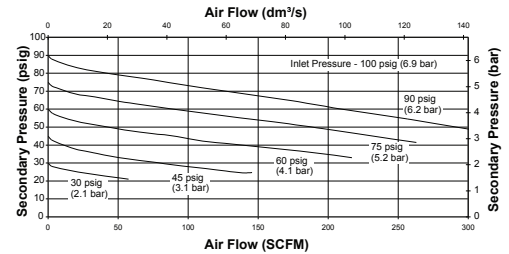
Filter element	Pressure range PSIG	Relieving bowl option	Control / drain option
4 5-Micron	1 0 – 140 (no gauge)	1 Relieving / metal w/ sight glass	0 Standard knob / manual
	2 0 – 60 (no gauge)	2 Relieving / metal	4 Standard knob / automatic
Thread type	3 10 – 175 (no gauge)		
5 3/4" NPT	4 0 – 30 (no gauge)		
6 1" NPT	6 0 – 140 w/ flush-mount gauge		
E 3/4" BSP			
F 1" BSP			

Popular configurations

Port size NPT	Drain	Spring range psi	w/ Gauge	Model
5 MICRON • METAL BOWL W/ SIGHT GLASS • RELIEVING				
3/4"	Manual	0 – 140	Yes	P39454-610
3/4"	Auto	0 – 140	Yes	P39454-614
1"	Manual	0 – 140	Yes	P39464-610
1"	Auto	0 – 140	Yes	P39464-614

3/4" Pressure drop test

3/4" 3000 SERIES FILTER/REGULATOR



See page 81 for additional flow charts

Replacement parts

MODEL	DESCRIPTION
104445	5-Micron element
104446	40-Micron element
104450	Metal bowl w/ sight glass, man.
104451	Metal bowl w/ sight glass, auto
104452	Filter bowl service kit
104541	Regulator service kit (relieving)
104280	Regulator service kit (non-relieving)
104455	Tamper kit
104456	0 – 60 psi Spring
104457	0 – 140 psi Spring
104458	10 – 200 psi Spring
104315	Replacement auto drain*
104316	Replacement manual drain
104322	Metal bowl, manual drain
104323	Metal bowl, auto drain
104334	0 – 140 psi Gauge flush mount
104337	Metal bowl
104338	Metal bowl w/ sight glass
104419	Panel Nut

* Replacement auto drains can only be used with auto drain bowls.

3000 Series combinations

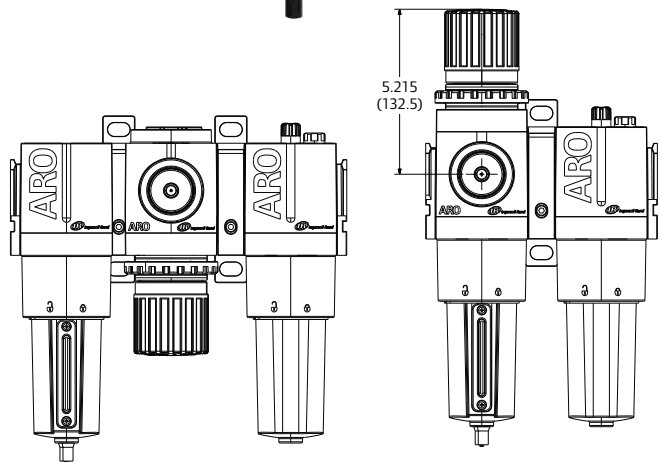
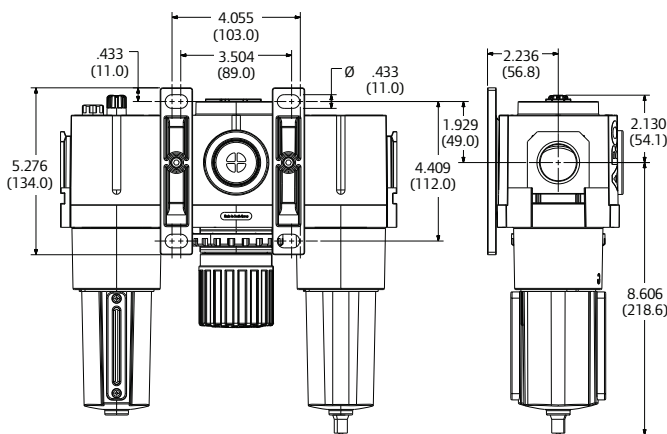
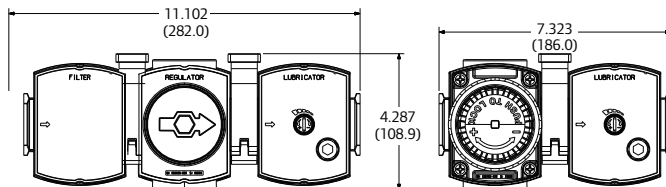
3/4" and 1" Ports

Technical data	
	METAL / METAL W/ SIGHT GLASS
Max inlet pressure (psi)	250
Temperature range (F)	23 - 175
Spring range options (psi)	0 - 200
Filter element	5 micron
Filter bowl cap — manual drain (oz)	5.3
Filter bowl cap — auto drain (oz)	5.9
Lubricator bowl capacity (oz)	3.2
Gauge port	1/8"
Flow capacity — 3/4" - 2 unit*	201 scfm
Flow capacity — 1" - 2 unit*	208 scfm
Flow capacity — 3/4" - 3 unit*	199 scfm
Flow capacity — 1" - 3 unit*	215 scfm

*Inlet pressure 100 psi (6.9 bar), 90 psi set (6.2 bar), with 33 psi drop (2.3 bar)



Photos shown with optional panel nut. If required, order 104419 panel nut separately.



F + R + L Combinations

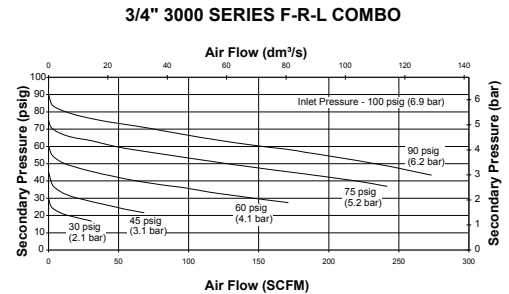
Port size NPT	Filter	Components Regulator	Lubricator	Model
MANUAL DRAIN • METAL BOWL W/ SIGHT GLASS • RELIEVING • W/ GAUGE				
3/4"	F35451-410	R37451-600	L36451-110	C38451-810
1"	F35461-410	R37461-600	L36461-110	C38461-810
AUTO DRAIN • METAL BOWL W/ SIGHT GLASS • RELIEVING • W/ GAUGE				
3/4"	F35451-411	R37451-600	L36451-110	C38451-811
1"	F35461-411	R37461-600	L36461-110	C38461-811

F/R + L Combinations

Port size NPT	Filter-regulator	Components Lubricator	Model
MANUAL DRAIN • METAL BOWL W/ SIGHT GLASS • RELIEVING • W/ GAUGE			
3/4"	P39454-610	L36451-110	C38451-610
1"	P39464-610	L36461-110	C38461-610
AUTO DRAIN • METAL BOWL W/ SIGHT GLASS • RELIEVING • W/ GAUGE			
3/4"	P39454-614	L36451-110	C38451-611
1"	P39464-614	L36461-110	C38461-611

Note: Other combinations may be assembled by purchasing the individual components separately. Modular connector kits are required to connect the individual units together.

3/4" Pressure drop test



See page 81 for additional flow charts

Replacement parts

MODEL	DESCRIPTION
104445	5-Micron element
104446	40-Micron element
104447	0.3-Micron element
104450	Metal bowl w/ sight glass, man.
104451	Metal bowl w/ sight glass, auto
104452	Filter bowl service kit
104461	Coalescing filter bowl, manual drain
104462	Coalescing filter bowl, auto drain
104453	Regulator service kit (relieving)
104454	Regulator service kit (non-relieving)
104455	Tamper kit
104456	0 – 60 psi Spring
104457	0 – 140 psi Spring
104458	10 – 200 psi Spring
104465	Lubricator bowl service kit
104466	Sight dome repair kit
104315	Replacement auto drain*
104316	Replacement manual drain
104322	Metal bowl, manual drain
104323	Metal bowl, auto drain
104334	0 – 140 psi Gauge flush mount
104337	Metal bowl
104338	Metal bowl w/ sight glass
104419	Panel Nut

* Replacement auto drains can only be used with auto drain bowls.