

# 2000 Series filters

3/8", 1/2", and 3/4" Ports

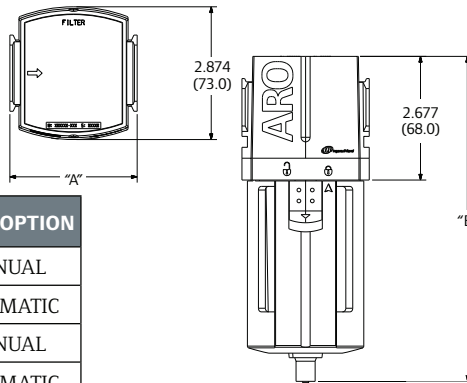
2000 Series

Technical data		
Polycarbonate bowl	Polycarbonate	
Polycarbonate bowl guard	Nylon	
Metal bowl	Aluminum	
Metal bowl sight glass	Nylon	
Filter body	Aluminum	
Manual drain	Brass + nitrile	
Auto drain	Acetal	
Standard filter	Polyethylene	
Coalescing filter	HEPA paper + felt	
Seals	Nitrile	
Filter baffle	Acetal	
	POLYCARBONATE BOWL	METAL / METAL W/ SIGHT GLASS
Max inlet pressure (psi)	150	250
Temperature range (F)	23 – 125	23 – 175
Bowl cap — manual drain (oz)	1.9	2.4
Bowl cap — auto drain (oz)	2.3	2.8
Flow capacity — 3/8" port*	156 scfm	
Flow capacity — 1/2" port*	197 scfm	
Flow capacity — 3/4" port*	216 scfm	

\*Inlet pressure 90 psi (6.2 bar) with 10 psi drop (0.7 bar)

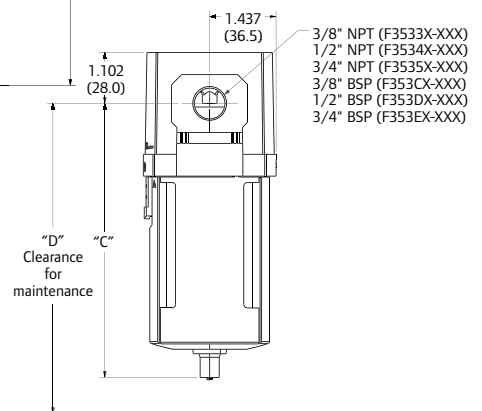


MODEL	A (MM)	PORT SIZE
F3533X-XXX	2.756 (70.0)	3/8" NPT
F3534X-XXX	2.756 (70.0)	1/2" NPT
F3535X-XXX	2.992 (76.0)	3/4" NPT



MODEL	B (MM)	SERVICE INDICATOR	DRAIN OPTION
F353X1-XX0	7.047 (179)	NONE	MANUAL
F353X1-XX1	7.913 (201)	NONE	AUTOMATIC
F353X2-XX0	7.717 (196)	MECHANICAL	MANUAL
F353X2-XX1	8.583 (218)	MECHANICAL	AUTOMATIC

MODEL	C (MM)	D (MM)	BOWL OPTION	DRAIN OPTION
F353XX-X00	5.945 (151)	8.945 (227)	POLYCARBONATE	MANUAL
F353XX-X10	5.945 (151)	8.445 (215)	METAL W/ SIGHT GLASS	MANUAL
F353XX-X20	5.945 (151)	8.445 (215)	METAL	MANUAL
F353XX-X01	6.811 (173)	9.811 (249)	POLYCARBONATE	AUTOMATIC
F353XX-X11	6.811 (173)	9.311 (236)	METAL W/ SIGHT GLASS	AUTOMATIC
F353XX-X21	6.811 (173)	9.311 (236)	METAL	AUTOMATIC



## How to order

To configure the desired part number, use the chart below to select the port size, thread type, and configuration options.

Port size	Base model				
3/8" - F353	3	X	-X	X	X
1/2" - F353	4	X	-X	X	X
3/4" - F353	5	X	-X	X	X

**Note:** Some menu combinations not available. Please consult price book to verify. Popular options are shown in **red** below.

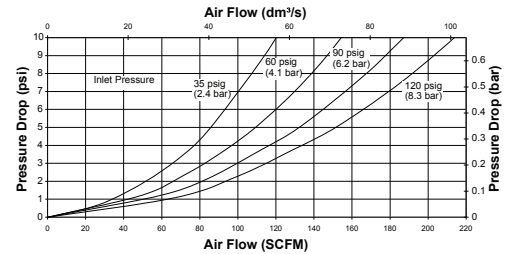
Thread type	Service indicator	Filter element	Bowl option	Drain option
<b>3</b> 3/8" NPT	<b>1</b> None	<b>3</b> 0.3-Micron coalescing	<b>0</b> Polycarbonate w/ guard	<b>0</b> Manual
<b>4</b> 1/2" NPT	<b>2</b> Mechanical (standard w/ coalescing)	<b>4</b> 5-Micron	<b>1</b> Metal w/ sight glass	<b>1</b> Automatic
<b>5</b> † 3/4" NPT			<b>2</b> Metal	
<b>C</b> 3/8" BSP				
<b>D</b> 1/2" BSP				
<b>E</b> 3/4" BSP				

## Popular configurations

Port size NPT	Filter type	Element (microns)	Bowl cap (oz)	Service indicator	Model
<b>MANUAL DRAIN • POLYCARBONATE BOWL W/ GUARD</b>					
3/8"	Standard	5	1.9	None	F35331-400
3/8"	Coalescing	0.3	1.9	Mechanical	F35332-300
1/2"	Standard	5	1.9	None	F35341-400
1/2"	Coalescing	0.3	1.9	Mechanical	F35342-300
3/4"†	Standard	5	1.9	None	F35351-400
<b>MANUAL DRAIN • METAL BOWL</b>					
3/8"	Standard	5	2.4	None	F35331-420
3/8"	Coalescing	0.3	2.4	Mechanical	F35332-320
1/2"	Standard	5	2.4	None	F35341-420
1/2"	Coalescing	0.3	2.4	Mechanical	F35342-320
<b>MANUAL DRAIN • METAL BOWL W/ SIGHT GLASS</b>					
3/8"	Standard	5	2.4	None	F35331-410
3/8"	Coalescing	0.3	2.4	Mechanical	F35332-310
1/2"	Standard	5	2.4	None	F35341-410
1/2"	Coalescing	0.3	2.4	Mechanical	F35342-310
3/4"†	Standard	5	2.4	None	F35351-410
<b>AUTO DRAIN • POLYCARBONATE BOWL W/ GUARD</b>					
3/8"	Standard	5	2.3	None	F35331-401
3/8"	Coalescing	0.3	2.3	Mechanical	F35332-301
1/2"	Standard	5	2.3	None	F35341-401
1/2"	Coalescing	0.3	2.3	Mechanical	F35342-301
3/4"†	Standard	5	2.3	None	F35351-401
<b>AUTO DRAIN • METAL BOWL W/ SIGHT GLASS</b>					
3/8"	Standard	5	2.8	None	F35331-411
3/8"	Coalescing	0.3	2.8	Mechanical	F35332-311
1/2"	Standard	5	2.8	None	F35341-411
1/2"	Coalescing	0.3	2.8	Mechanical	F35342-311
3/4"†	Standard	5	2.8	None	F35351-411

## 1/2" Pressure drop test

1/2" 2000 SERIES FILTER



See page 81 for additional flow charts

## Replacement parts

MODEL	DESCRIPTION
104315	Replacement auto drain*
104316	Replacement manual drain
104317	5-Micron element
104318	40-Micron element
104319	0.3-Micron element
104320	Poly bowl, manual drain
104321	Poly bowl, auto drain
104322	Metal bowl, manual drain
104323	Metal bowl, auto drain
104324	Metal bowl, sight glass, auto drain
104325	Metal bowl, sight glass, manual drain
104326	Filter bowl service kit

\* Replacement auto drains can only be used with auto drain bowls.

## Accessories

See page 65 for details

MODEL	DESCRIPTION
104392-3	3/8" NPT lock-out valve
104392-4	1/2" NPT lock-out valve
104396	Modular clamp
104398-3	3/8" NPT pipe adapter
104398-4	1/2" NPT pipe adapter
104479-3	3/8" Check valve
104479-4	1/2" Check valve
104401	T-type wall mount
104409	C-type wall mount
104413-3-3	3/8" x 3/8" Manifold block
104413-4-3	1/2" x 3/8" Manifold block

† For Series 2000 with 3/4" threads, use modular clamp 104397 or T-type wall mount bracket/spacer 104402

# 2000 Series regulators

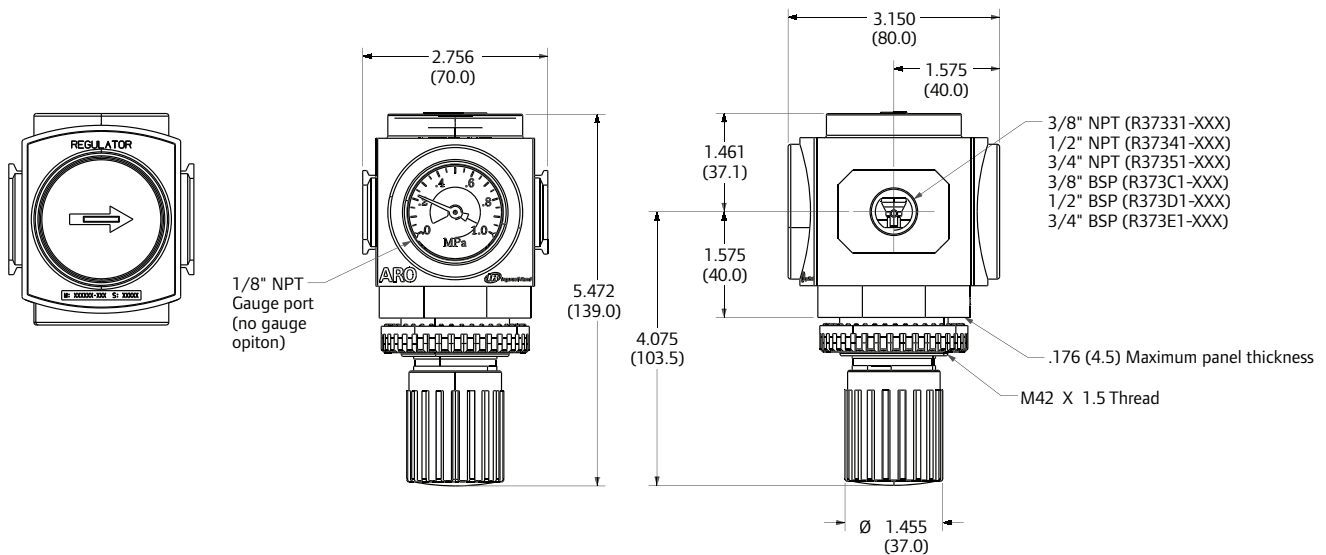
3/8", 1/2", and 3/4" Ports

Technical data	
Diaphragm	Nitrile + nylon
Regulator body	Aluminum
Regulator valve	Nitrile + nylon
Regulator springs	Steel
Gauge cover	Nylon + polycarbonate
Regulator knob	Acetal
O-rings	Nitrile
Max inlet pressure (psi)	250
Temperature range (F)	23 - 140
Spring range options (psi)	0 - 30
	0 - 60
	0 - 140
	0 - 200
Gauge port	1/8"
Flow capacity — 3/8" port*	179 scfm
Flow capacity — 1/2" port*	210 scfm
Flow capacity — 3/4" port*	210 scfm

\*Inlet pressure 100 psi (6.9 bar), 90 psi set (6.2 bar), with 33 psi drop (2.3



2000 Series



## How to order

To configure the desired part number, use the chart below to select the port size, thread type, and configuration options.

Port size	Base model				
3/8"	R373 3	1	X	X	X
1/2"	R373 4	1	X	X	X
3/4"	R373 5	1	X	X	X

**Note:** Some menu combinations not available. Please consult price book to verify. Popular options are shown in **red** below.

<b>Thread type</b>		<b>Pressure range PSIG</b>	<b>Relieving option</b>	<b>Control option</b>
3 3/8" NPT	<b>1</b>	0 – 140 (no gauge)	<b>0</b> Relieving	<b>0</b> Standard knob
4 1/2" NPT	<b>2</b>	0 – 60 (no gauge)	<b>2</b> Non-relieving	
C 3/8" BSP	<b>3</b>	10 – 200 (no gauge)		
D 1/2" BSP	<b>4</b>	0 – 30 (no gauge)		
E† 3/4" BSP	<b>6</b>	0 – 140 w/ flush-mount gauge		

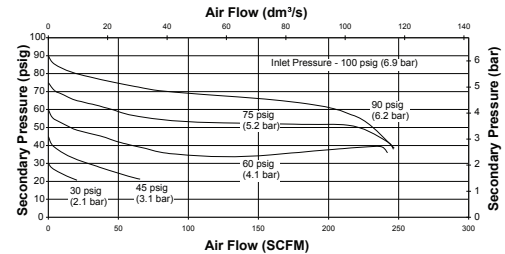
## Popular configurations

Port size NPT	Pressure range psi	Gauge	Model
<b>RELIEVING • STANDARD KNOB CONTROL</b>			
3/8"	0 – 30	No gauge	R37331-400
3/8"	0 – 60	No gauge	R37331-200
3/8"	0 – 140	No gauge	R37331-100
3/8"	0 – 140	Flush-mount gauge	R37331-600
3/8"	10 – 200	No gauge	R37331-300
1/2"	0 – 30	No gauge	R37341-400
1/2"	0 – 60	No gauge	R37341-200
1/2"	0 – 140	No gauge	R37341-100
1/2"	0 – 140	Flush-mount gauge	R37341-600
1/2"	10 – 200	No gauge	R37341-300
3/4"†	0 – 30	No gauge	R37351-400
3/4"†	0 – 60	No gauge	R37351-200
3/4"†	0 – 140	No gauge	R37351-100
3/4"†	0 – 140	Flush-mount gauge	R37351-600
3/4"†	10 – 200	No gauge	R37351-300
<b>NON-RELIEVING • STANDARD KNOB CONTROL</b>			
3/8"	0 – 30	No gauge	R37331-420
3/8"	0 – 60	No gauge	R37331-220
3/8"	0 – 140	No gauge	R37331-120
3/8"	0 – 140	Flush-mount gauge	R37331-620
3/8"	10 – 200	No gauge	R37331-320
1/2"	0 – 30	No gauge	R37341-420
1/2"	0 – 60	No gauge	R37341-220
1/2"	0 – 140	No gauge	R37341-120
1/2"	0 – 140	Flush-mount gauge	R37341-620
1/2"	10 – 200	No gauge	R37341-320
3/4"†	0 – 140	Flush-mount gauge	R37351-620
3/4"†	10 – 200	No gauge	R37351-320

† For Series 2000 with 3/4" threads, use modular clamp 104397 or T-type wall mount bracket/spacer 104402

## 1/2" Pressure drop test

1/2" 2000 SERIES REGULATOR



See page 81 for additional flow charts

## Replacement parts

MODEL	DESCRIPTION
104327	Regulator service kit (relieving)
104328	Regulator service kit (non-relieving)
104329	Tamper kit
104330	0 – 60 psi Spring
104331	0 – 140 psi Spring
104332	10 – 200 psi Spring
104334	0 – 140 psi Gauge flush mount
104533	0 – 30 psi Spring

## Accessories

See page 65 for details

MODEL	DESCRIPTION
104392-3	3/8" NPT lock-out valve
104392-4	1/2" NPT lock-out valve
104396	Modular clamp
104398-3	3/8" NPT pipe adapter
104398-4	1/2" NPT pipe adapter
104479-3	3/8" Check valve
104479-4	1/2" Check valve
104401	T-type wall mount
104405	L-type wall mount
104409	C-type wall mount
104413-3-3	3/8" x 3/8" Manifold block
104413-4-3	1/2" x 3/8" Manifold block
104418	Panel nut
104469	Gauge port block
104415	Pressure switch

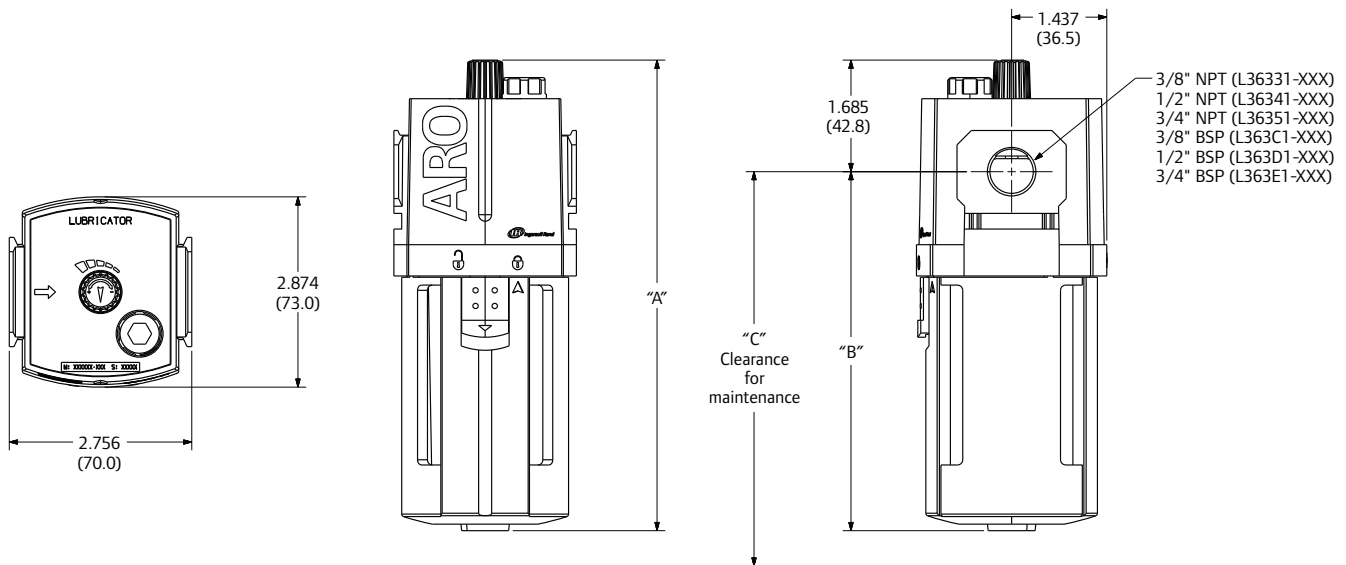
Adjustment range can exceed spring rating on 0-30 psi and 0-60 psi regulators. The working range of the adjustment knob is designed to permit outlet pressures beyond the spring ratings in the 0-30psi and 0-60psi models. The adjustment knob is not designed to be a pressure limiting device. Limiting devices may be obtained only by special design. For optimal performance, regulators should not be set to ranges outside the specified spring range.

# 2000 Series Lubricators

3/8", 1/2", and 3/4" Ports

Technical data		
Lubricator body	Aluminum	
Lubricator sight dome	Nylon	
Lubricator inlet tube	Urethane	
Seals	Nitrile	
	POLYCARBONATE BOWL	METAL / METAL W/ SIGHT GLASS
Max inlet pressure (psi)	150	250
Temperature range (F)	23 – 125	23 – 175
Bowl capacity (oz)	4.3	3.7
Flow capacity — 3/8" port*	85 scfm	
Flow capacity — 1/2" port*	156 scfm	
Flow capacity — 3/4" port*	222 scfm	

\*Inlet pressure 90 psi (6.2 bar) with 7 psi drop (0.5 bar)



MODEL	A (MM)	B (MM)	C (MM)	BOWL OPTION
L363X1-X0X	7.087 (180.0)	5.402 (137.2)	9.402 (238.8)	POLYCARBONATE
L363X1-X1X	7.165 (182.0)	5.480 (139.2)	8.980 (228.1)	METAL W/ SIGHT GLASS
L363X1-X2X	7.165 (182.0)	5.480 (139.2)	8.980 (228.1)	METAL

## How to order

To configure the desired part number, use the chart below to select the port size, thread type, and configuration options.

Port size	Base model			
3/8"	L363	3	1 - X	X X
1/2"	L363	4	1 - X	X X
3/4"	L363	5	1 - X	X X

**Note:** Some menu combinations not available. Please consult price book to verify. Popular options are shown in red below.

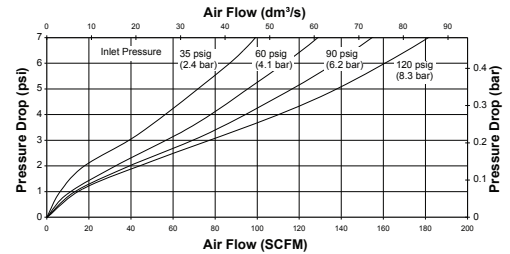
Thread type	Adjustment option	Bowl option	Fill option
3 3/8" NPT	1 Standard	0 Polycarbonate	0 Standard
4 1/2" NPT		1 Metal w/ sight glass	
5 <sup>†</sup> 3/4" NPT		2 Metal	
C 3/8" BSP			
D 1/2" BSP			
E <sup>†</sup> 3/4" BSP			

## Popular configurations

Port size NPT	Adjustment option	Bowl cap (oz)	Fill option	Model
<b>METAL BOWL</b>				
3/8"	Standard	3.7	Standard	L36331-120
1/2"	Standard	3.7	Standard	L36341-120
3/4" <sup>†</sup>	Standard	3.7	Standard	L36351-120
<b>METAL BOWL W/ SIGHT GLASS</b>				
3/8"	Standard	3.7	Standard	L36331-110
1/2"	Standard	3.7	Standard	L36341-110
3/4" <sup>†</sup>	Standard	3.7	Standard	L36351-110
<b>POLYCARBONATE BOWL W/ GUARD</b>				
3/8"	Standard	4.3	Standard	L36331-100
1/2"	Standard	4.3	Standard	L36341-100
3/4" <sup>†</sup>	Standard	4.3	Standard	L36351-100

## 1/2" Pressure drop test

1/2" 2000 SERIES LUBRICATOR



See page 81 for additional flow charts

## Replacement parts

MODEL	DESCRIPTION
104336	Polycarbonate bowl w/ guard
104337	Metal bowl
104338	Metal bowl w/ sight glass
104339	Lubricator bowl service kit
104470	Sight dome repair kit

## Accessories

See page 65 for details

MODEL	DESCRIPTION
104392-3	3/8" NPT lockout valve
104392-4	1/2" NPT lockout valve
104396	Modular clamp
104398-3	3/8" NPT pipe adapter
104398-4	1/2" NPT pipe adapter
104479-3	3/8" Check valve
104479-4	1/2" Check valve
104401	T-type wall mount
104409	C-type wall mount
104413-3-3	3/8" x 3/8" Manifold block
104413-4-3	1/2" x 3/8" Manifold block

<sup>†</sup> For Series 2000 with 3/4" threads, use modular clamp 104397 or T-type wall mount bracket/spacer 104402

# 2000 Series piggyback filters / regulators

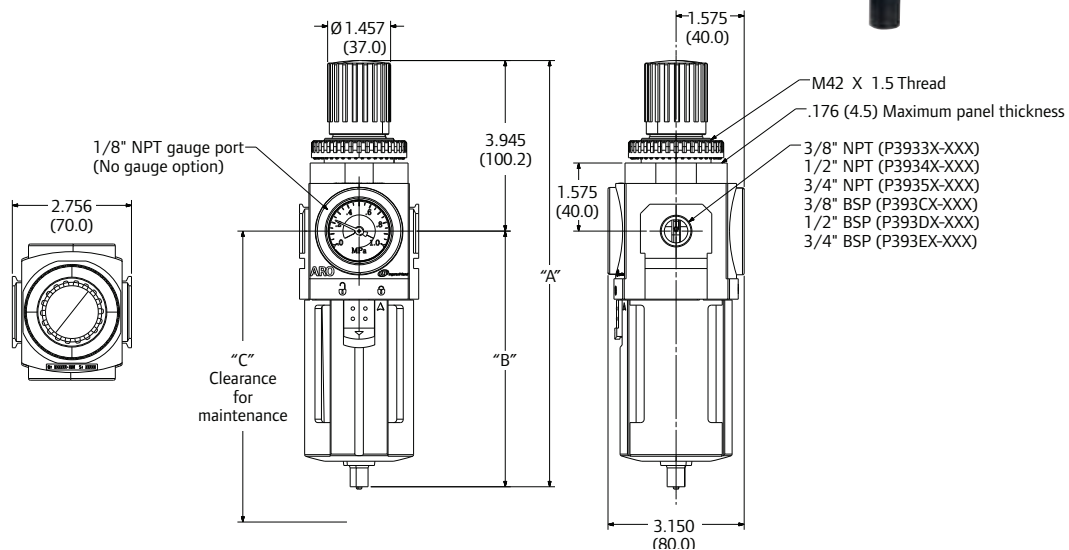
3/8", 1/2", and 3/4" Ports

Technical data		
	POLYCARBONATE BOWL	METAL / METAL W/ SIGHT GLASS
Max inlet pressure (psi)	150	250
Temperature range (F)	23 – 125	23 – 175
Spring range options (psi)	0 – 30	
	0 – 60	
	0 – 140	
	0 – 200	
Bowl cap — manual drain (oz)	1.9	2.4
Bowl cap — auto drain (oz)	2.3	2.8
Gauge port	1/8"	
Flow capacity — 3/8" port*	132 scfm	
Flow capacity — 1/2" port*	172 scfm	
Flow capacity — 3/4" port*	173 scfm	

\*Inlet pressure 100 psi (6.9 bar), 90 psi set (6.2 bar), with 33 psi drop (2.3 bar)



Panel nut comes standard on all individual piggyback units



MODEL	A (MM)	B (MM)	C (MM)	BOWL OPTION	DRAIN OPTION
P393XX-X00	9.961 (253.0)	6.016 (152.8)	9.016 (229.0)	POLY W/ GUARD	MANUAL
P393XX-X10	10.039 (225.0)	6.094 (154.8)	8.594 (218.3)	METAL W/ SIGHT GLASS	MANUAL
P393XX-X20	10.039 (225.0)	6.094 (154.8)	8.594 (218.3)	METAL	MANUAL
P393XX-X04	10.787 (274.0)	6.843 (173.8)	9.843 (250.0)	POLY W/GUARD	AUTOMATIC
P393XX-X14	10.866 (276.0)	6.921 (175.8)	9.421 (239.3)	METAL W/ SIGHT GLASS	AUTOMATIC
P393XX-X24	10.866 (276.0)	6.921 (175.8)	9.421 (239.3)	METAL	AUTOMATIC

## How to order

To configure the desired part number, use the chart below to select the port size, thread type, and configuration options.

Port size	Base model				
3/8"	P393 3	X	X	X	X
1/2"	P393 4	X	X	X	X
3/4"	P393 5	X	X	X	X

**Note:** Some menu combinations not available. Please consult price book to verify. Popular options are shown in **red** below.

<b>Filter element</b>	<b>Pressure range PSIG</b>	<b>Relieving bowl option</b>	<b>Control / drain option</b>
<b>3</b> 0.3-Micron coalescing	<b>1</b> 0 – 140 (no gauge)	<b>0</b> Relieving / poly w/ guard	<b>0</b> Standard knob / manual
<b>4</b> 5-Micron	<b>2</b> 0 – 60 (no gauge)	<b>1</b> Relieving / metal w/ sight glass	<b>4</b> Standard knob / automatic
<b>Thread type</b>	<b>3</b> 10 – 175 (no gauge)	<b>2</b> Relieving / metal	
<b>3</b> 3/8" NPT	<b>4</b> 0 – 30 (no gauge)		
<b>4</b> 1/2" NPT	<b>6</b> 0 – 140 w/ flush-mount gauge		
<b>5</b> † 3/4" NPT			
<b>C</b> 3/8" BSP			
<b>D</b> 1/2" BSP			
<b>E</b> 3/4" BSP			

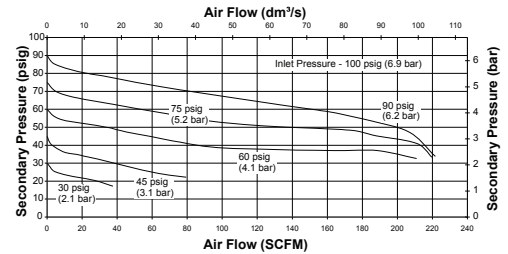
## Popular configurations

Port size NPT	Drain	Spring range psi	w/ Gauge	Model
<b>5 MICRON • POLYCARBONATE BOWL • RELIEVING</b>				
3/8"	Manual	0 – 140	No	P39334-100
3/8"	Manual	0 – 140	Yes	P39334-600
3/8"	Auto	0 – 140	No	P39334-104
3/8"	Auto	0 – 140	Yes	P39334-604
1/2"	Manual	0 – 140	No	P39344-100
1/2"	Manual	0 – 140	Yes	P39344-600
1/2"	Auto	0 – 140	No	P39344-104
1/2"	Auto	0 – 140	Yes	P39344-604
3/4" †	Manual	0 – 140	No	P39354-100
3/4" †	Manual	0 – 140	Yes	P39354-600
<b>5 MICRON • METAL BOWL W/ SIGHT GLASS • RELIEVING</b>				
3/8"	Manual	0 – 140	No	P39334-110
3/8"	Manual	0 – 140	Yes	P39334-610
3/8"	Auto	0 – 140	No	P39334-114
3/8"	Auto	0 – 140	Yes	P39334-614
1/2"	Manual	0 – 140	No	P39344-110
1/2"	Manual	0 – 140	Yes	P39344-610
1/2"	Auto	0 – 140	No	P39344-114
1/2"	Auto	0 – 140	Yes	P39344-614
3/4" †	Manual	0 – 140	No	P39354-110
3/4" †	Manual	0 – 140	Yes	P39354-610

Adjustment range can exceed spring rating on 0-30 psi and 0-60 psi regulators. The working range of the adjustment knob is designed to permit outlet pressures beyond the spring ratings in the 0-30psi and 0-60psi models. The adjustment knob is not designed to be a pressure limiting device. Limiting devices may be obtained only by special design. For optimal performance, regulators should not be set to ranges outside the specified spring range.

## 1/2" Pressure drop test

1/2" 2000 SERIES FILTER/REGULATOR



See page 81 for additional flow charts

## Replacement parts

MODEL	DESCRIPTION
104315	Replacement auto drain*
104316	Replacement manual drain
104317	5-Micron element
104318	40-Micron element
104363	0.3-Micron element
104320	Poly bowl, manual drain
104321	Poly bowl, auto drain
104322	Metal bowl, manual drain
104323	Metal bowl, auto drain
104324	Metal bowl, sight glass, auto
104325	Metal bowl, sight glass, man.
104326	Filter bowl service kit
104544	Regulator service kit (relieving)
104219	Regulator service kit (non-relieving)
104329	Tamper kit
104330	0 – 60 psi Spring
104331	0 – 140 psi Spring
104332	10 – 200 psi Spring
104334	0 – 140 psi Gauge flush mount
104418	Panel Nut
104533	0 – 30 psi Spring

\* Replacement auto drains can only be used with auto drain bowls.

† For Series 2000 with 3/4" threads, use modular clamp 104397 or T-type wall mount bracket/spacer 104402



# 2000 Series combinations

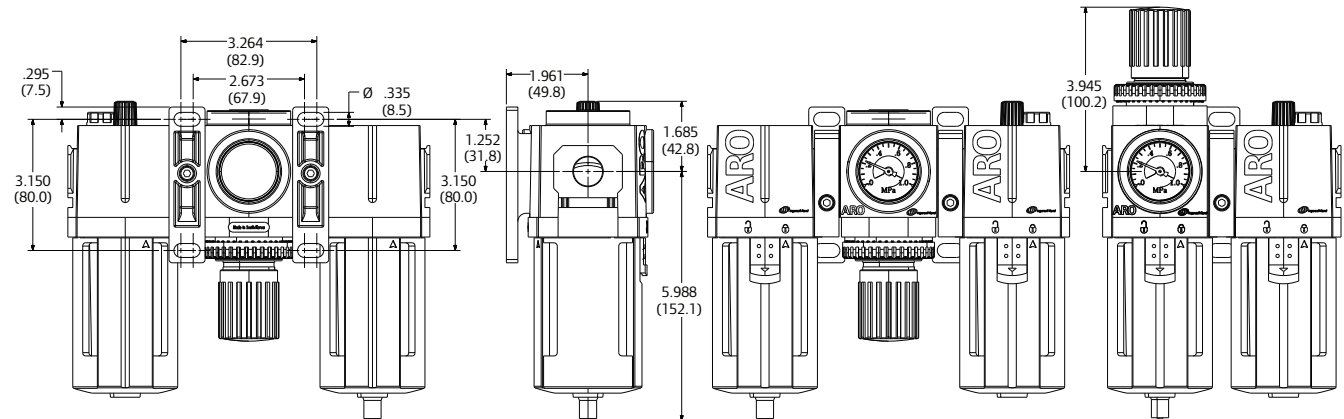
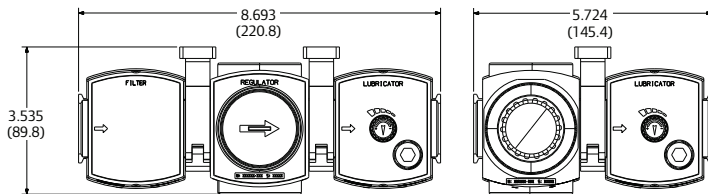
3/8", 1/2", and 3/4" Ports

Technical data		
	POLYCARBONATE BOWL	METAL / METAL W/ SIGHT GLASS
Max inlet pressure (psi)	150	250
Temperature range (F)	23 – 125	23 – 175
Spring range options (psi)	0 – 140	
Filter element	5 micron	
Filter bowl cap — manual drain (oz)	1.9	2.4
Filter bowl cap — auto drain (oz)	2.3	2.8
Lubricator bowl capacity (oz)	4.3	3.7
Gauge port	1/8"	
Flow capacity — 3/8" - 2 unit*	96 scfm	
Flow capacity — 1/2" - 2 unit*	120 scfm	
Flow capacity — 3/4" - 2 unit*	142 scfm	
Flow capacity — 3/8" - 3 unit*	99 scfm	
Flow capacity — 1/2" - 3 unit*	150 scfm	
Flow capacity — 3/4" - 3 unit*	171 scfm	

\*Inlet pressure 100 psi (6.9 bar), 90 psi set (6.2 bar), with 33 psi drop (2.3 bar)



Photos shown with optional panel nut. If required, order 104418 panel nut separately.



## F + R + L Combinations

Port size NPT	Filter	Components Regulator	Lubricator	Model
<b>MANUAL DRAIN • METAL BOWL W/ SIGHT GLASS • RELIEVING • W/ GAUGE</b>				
3/8"	F35331-410	R37331-600	L36331-110	C38331-810
1/2"	F35341-410	R37341-600	L36341-110	C38341-810
3/4" †	F35351-410	R37351-600	L36351-110	C38351-810
<b>MANUAL DRAIN • POLYCARBONATE BOWL W/ GUARD • RELIEVING • W/ GAUGE</b>				
3/8"	F35331-400	R37331-600	L36331-100	C38331-800
1/2"	F35341-400	R37341-600	L36341-100	C38341-800
3/4" †	F35351-400	R37351-600	L36351-100	C38351-800
<b>AUTO DRAIN • METAL BOWL W/ SIGHT GLASS • RELIEVING • W/ GAUGE</b>				
3/8"	F35331-411	R37331-600	L36331-110	C38331-811
1/2"	F35341-411	R37341-600	L36341-110	C38341-811
3/4" †	F35351-411	R37351-600	L36351-110	C38351-811
<b>AUTO DRAIN • POLYCARBONATE BOWL W/ GUARD • RELIEVING • W/ GAUGE</b>				
3/8"	F35331-401	R37331-600	L36331-100	C38331-801
1/2"	F35341-401	R37341-600	L36341-100	C38341-801
3/4" †	F35351-401	R37351-600	L36351-100	C38351-801

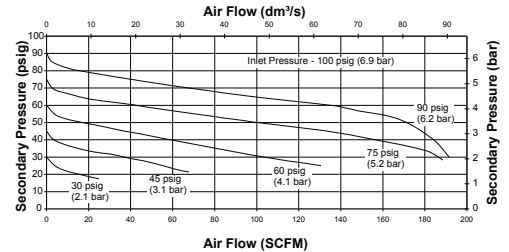
## F/R + L Combinations

Port size NPT	Filter-regulator	Components Lubricator	Model
<b>MANUAL DRAIN • METAL BOWL W/ SIGHT GLASS • RELIEVING • W/ GAUGE</b>			
3/8"	P39334-610	L36331-110	C38331-610
1/2"	P39344-610	L36341-110	C38341-610
3/4" †	P39354-610	L36351-110	C38351-610
<b>MANUAL DRAIN • POLYCARBONATE BOWL W/ GUARD • RELIEVING • W/ GAUGE</b>			
3/8"	P39334-600	L36331-100	C38331-600
1/2"	P39344-600	L36341-100	C38341-600
3/4" †	P39354-600	L36351-100	C38351-600
<b>AUTO DRAIN • METAL BOWL W/ SIGHT GLASS • RELIEVING • W/ GAUGE</b>			
3/8"	P39334-614	L36331-110	C38331-611
1/2"	P39344-614	L36341-110	C38341-611
3/4" †	P39354-614	L36351-110	C38351-611
<b>AUTO DRAIN • POLYCARBONATE BOWL W/ GUARD • RELIEVING • W/ GAUGE</b>			
3/8"	P39334-604	L36331-100	C38331-601
1/2"	P39344-604	L36341-100	C38341-601
3/4" †	P39354-604	L36351-100	C38351-601

**Note:** Other combinations may be assembled by purchasing the individual components separately. Modular connector kits are required to connect the individual units together.

## 1/2" Pressure drop test

1/2" 2000 SERIES F-R-L COMBO



See page 81 for additional flow charts

## Replacement parts

MODEL	DESCRIPTION
104315	Replacement auto drain*
104316	Replacement manual drain
104317	5-Micron element
104318	40-Micron element
104319	0.3-Micron filter element
104363	0.3-Micron piggyback element
104320	Poly bowl, manual drain
104321	Poly bowl, auto drain
104322	Metal bowl, manual drain
104323	Metal bowl, auto drain
104324	Metal bowl, sight glass, auto
104325	Metal bowl, sight glass, man.
104326	Filter bowl service kit
104327	Regulator service kit (relieving)
104328	Regulator service kit (non-relieving)
104329	Tamper kit
104330	0 – 60 psi Spring
104331	0 – 140 psi Spring
104332	10 – 200 psi Spring
104334	0 – 140 psi Gauge flush mount
104336	Polycarbonate bowl w/ guard
104337	Metal bowl
104338	Metal bowl w/ sight glass
104339	Lubricator bowl service kit
104470	Sight dome repair kit
104418	Panel Nut

\* Replacement auto drains can only be used with auto drain bowls.

† For Series 2000 with 3/4" threads, use modular clamp 104397 or T-type wall mount bracket/spacer 104402