

# MaxAir

## Features

### 3-Way and 4-Way Air Solenoid & Pilot Valves 1/4", 3/8" & 1/2" NPT Ports

- Ideal for packaging, material handling and air motor applications
- Ideal for double acting pneumatic cylinders
- Compact size with excellent flow capacity
- Single and double solenoid or pilot models
- Three voltages available 120 VAC, 12 and 24 VDC
- Lightweight aluminum bodies and Buna-N seals are standard
- Manifold mounting available, blanking plates provided for future expansion
- Max/Air valves use Alpha style 22mm coil
- 1/4" = 26 mm Body Size
- 3/8" = 30 mm Body Size
- 1/2" = 34 mm Body Size



### 3-Position Spool Function Provides Wider Application Flexibility:

MaxAir offers 3-position spool configuration with all ports blocked in center.

### Solenoid Coils and Connectors Provide Quick, Clean Connections:

Coils are Class F rated for 100% duty cycle applications at 122° F ( 50° C). AC or DC coils can be interchanged on the same solenoid stem. Each Solenoid connector acts as its own junction box, with molded connectors and gaskets to protect electrical connections. Design meets NEMA-4 specifications.

### One - Touch Manual Override (Standard):

MaxAir contains a mechanical valve override that can be adjusted to a locking (push 'n twist) position or non-locking function.

### Valves are Body-Threaded and can be Manifold - Mounted:

MaxAir is a body - threaded valve that can be directly plumbed or manifold - mounted. Where there's a need for multiple valves in tight spots, especially in machine design operations. Manifolds Available in 2, 4, 6, 8, 10, and 12 Station configurations.

## Ordering

Position	1	2	3	4	5	6	7		
Example:	M	X	X	X	XX	-	120	-	A
Position 1 Body Style	Position 2 Valve Type*	Position 3 Body Style	Position 4 Port Size	Position 5 Actuation/Return*	Position 6 Coil Volage	Position 7 Coil Option			
M MaxAir	2 2 Position 3 3 Position All Ports Blocked Spring Centered (Sol. & Pilot Only)	1 4 Way Side Ported 5 3 Way Side Ported	2 1/4" NPT 3 3/8" NPT 4 1/2" NPT	SS Single Solenoid/Spring SD Double Solenoid PS Pilot / Spring* PD Pilot / Double*	000 No Coil 012 12VDC 024 24 VDC 120 120 VAC	N No Coil A AC D DC			

\* Model number ends here on pilot activated valves.

## Performance Specifications

<b>Cv</b> (Solenoid) (Pilot)	1/4" = .70, 3/8" = 1.65, 1/2" = 4.32	<b>Temperature Range</b>	15° to 122° F (-10° to 50° C)
<b>SCFM</b>	1/4" = 26, 3/8" = 61, 1/2" = 150	<b>Minimum Shift Pressure</b>	2 position single pilot, single solenoid, spring return - 45 PSI
<b>Port Size</b> NPT	1/4", 3/8", 1/2"		2 position double pilot - 45 PSI
<b>Operating Medium</b>	Non-Lubricated or Lubricated Air		2 position double solenoid-20 PSI
<b>Air Pres. Range</b> (Solenoid)	45 - 115 PSI		3 position double solenoid, double pilot, spring centered - 45 PSI
<b>Pres. Range</b> (Pilot)	45 - 140 PSI		
<b>Duty Cycle</b>	100%		

# MaxAir

## Ordering - Manifold



Manifold Kits  
Kits include: manifold, seals  
and valve attaching hardware



CHW



CBW



CHL-XXX



CSN, CSL-XXX



CDN, CDW  
CDL-XXXX

No. of Stations	1/4" NPT Ports	3/8" NPT Ports	1/2" NPT Ports
2	M26M02-02	M30M03-02	M34M04-02
4	M26M02-04	M30M03-04	M34M04-04
6	M26M02-06	M30M03-06	M34M04-06
8	M26M02-08	M30M03-08	M34M04-08
10	M26M02-10	M30M03-10	M34M04-10

### Blanking Plate Kit

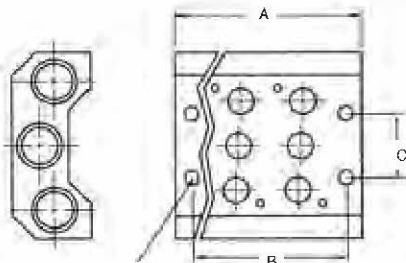
- M26MB** Fits 1/4" (26 mm) manifolds
- M30MB** Fits 3/8" (30 mm) manifolds
- M34MB** Fits 1/2" (34 mm) manifolds

22mm Connector Model	Description
<b>CHW</b>	Straight connector with cable (36") located on top
<b>CBW</b>	Straight connector with cable (36") located on back
<b>CHL-XXX</b>	Straight connector (36") with indicator light located on back.
<b>CSN</b>	Strain relief, without indicator light or cable.
<b>CSL-XXX</b>	Strain relief, with indicator light located on the back.
<b>CDN</b>	1/2" conduit without light or lead wire
<b>CDW</b>	1/2" conduit without light, 18" lead wire
<b>CDL-XXX</b>	1/2" conduit with light, 18" lead wire

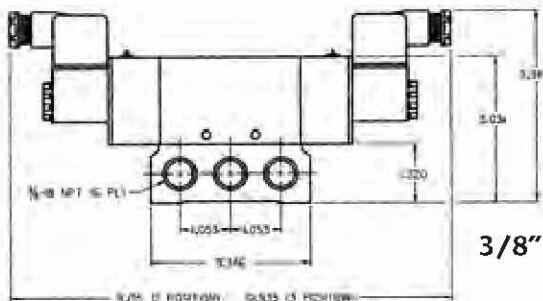
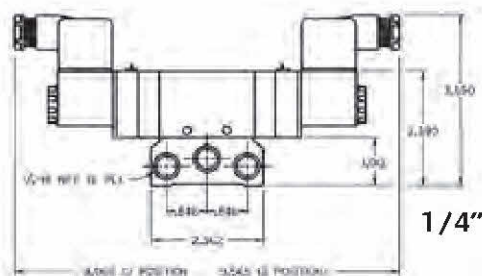
**Voltage (-XXX)**

**012** = 12 VDC/VAC      **024** = 24 VDC/VAC      **120** = 120 VDC/VAC

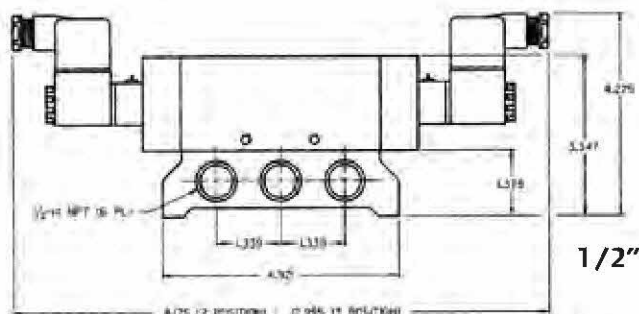
## Dimensions



.169 Hole Dia.  
(4 places)

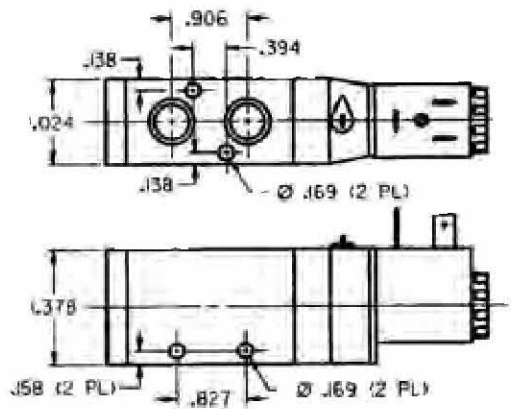


Stations	1/4"			3/8"			1/2"		
	A	B	C	A	B	C	A	B	C
2	3.189	2.638	0.866	3.661	3.031	1.063	4.134	3.346	1.181
4	5.315	4.764	0.866	6.101	5.471	1.063	6.890	6.102	1.181
6	7.441	6.890	0.866	8.541	7.911	1.063	9.646	8.858	1.181
8	9.567	9.016	0.866	10.981	10.351	1.063	12.402	11.614	1.181
10	11.693	11.142	0.866	13.421	12.791	1.063	15.158	14.370	1.181

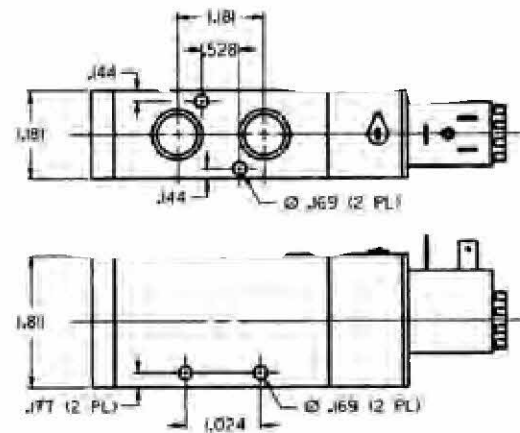


# MaxAir

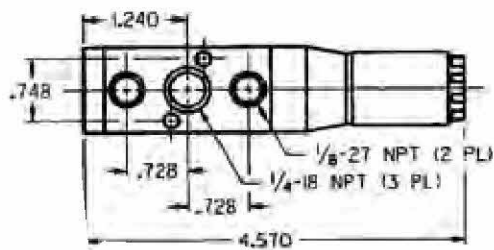
## Dimensions - Solenoid



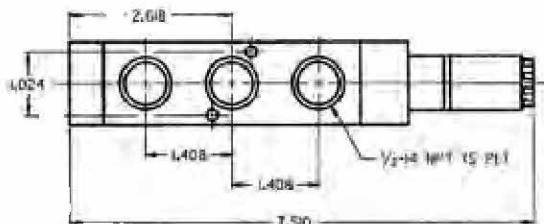
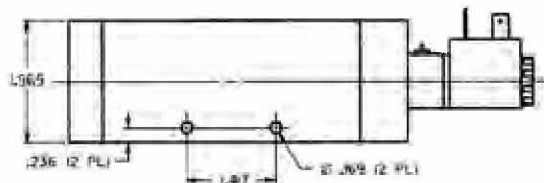
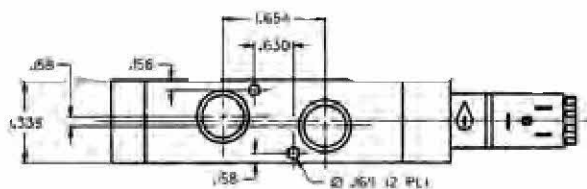
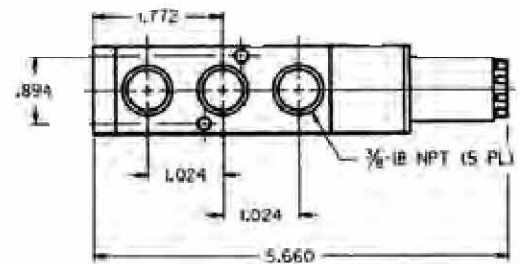
M2125S  
M2525S\*



M2135S  
M2535S\*



M2145S  
M2545S\*

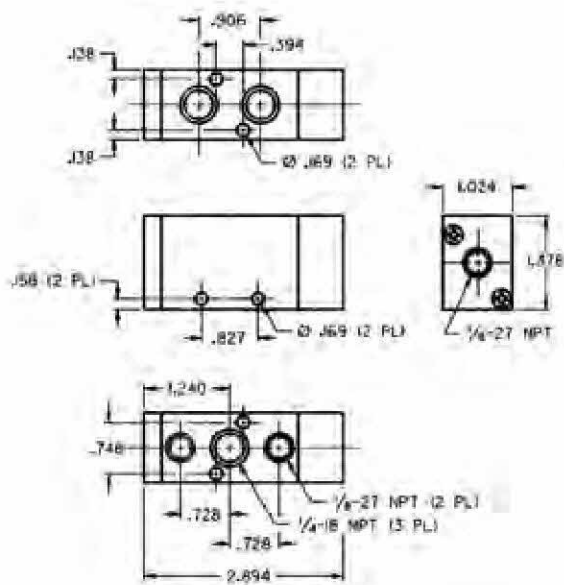


\* Dimensions are the same for 3-way  
and 4-way valves

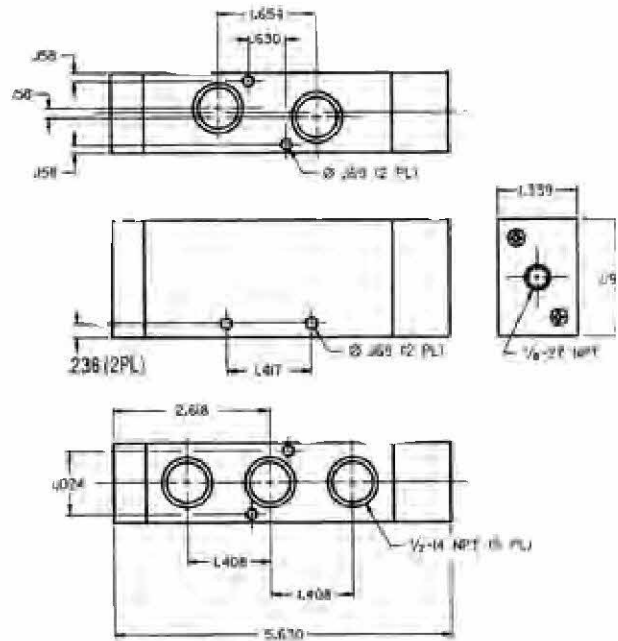


# MaxAir

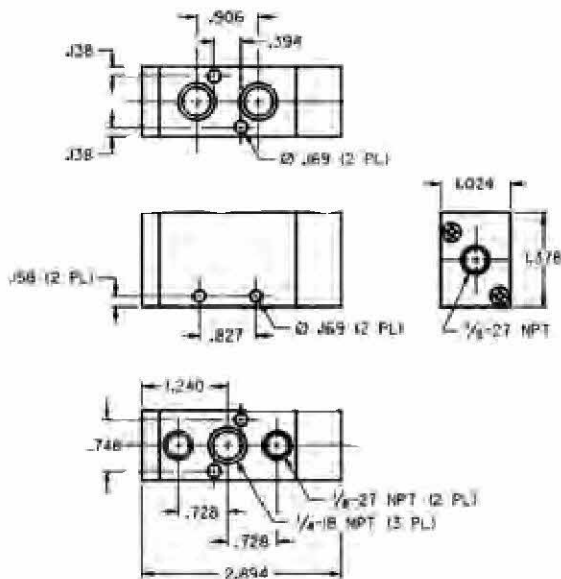
## Dimensions - Pilot



M212PS, M252PS\*



M214PS, M254PS\*

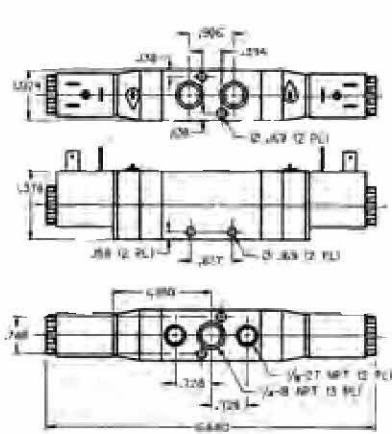


M213PS, M253PS\*

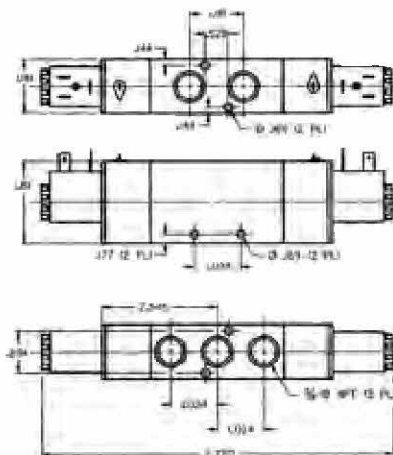
\* Dimensions are the same for 3-way and 4-way valves

# MaxAir

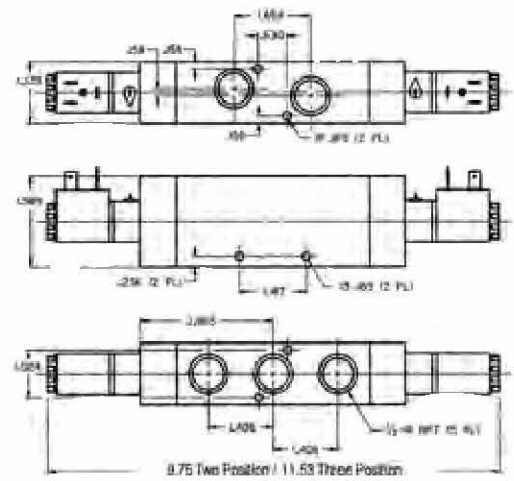
## Dimensions - Solenoid



M212SD  
M312SD

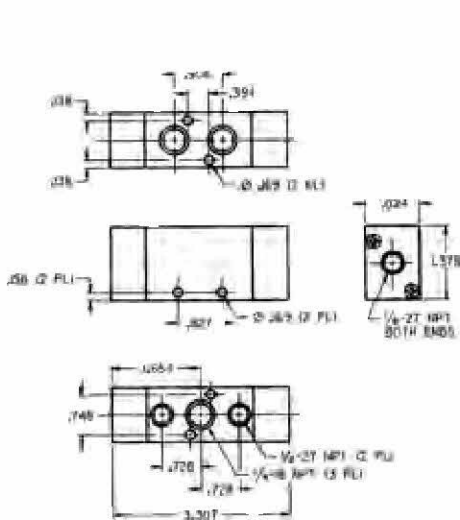


M213SD  
M313SD

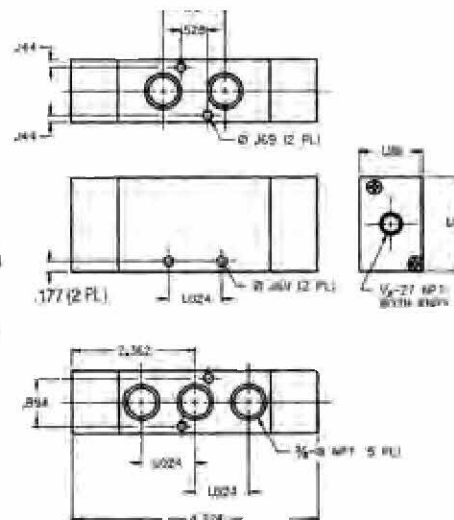


M214SD  
M314SD

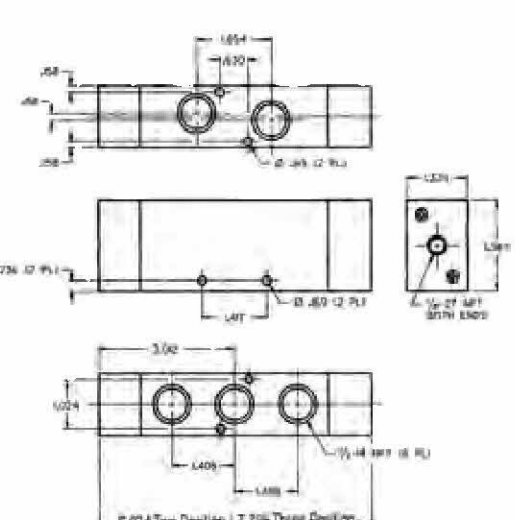
## Dimensions - Pilot



M212PD  
M312PD



M213PD  
M313PD



M214PD  
M314PD