

MaxAir

Features

3-Way and 4-Way Hand Lever Valves 1/4" and 3/8" NPT Ports

- Light weight aluminum bodies and Buna-N seals are standard
- Ideal for packaging, material handling and air motor applications.
- Hand levers available with lever parallel or perpendicular to valve body.
- Parallel lever can be manifold mounted.
- See pg. 14 for manifold ordering information.
- 1/4" perpendicular hand lever valves can be panel mounted.



Perpendicular Lever / Spring Return



Perpendicular Lever / Manual Return

Performance Specifications

Cv (Lever)	1/4" = .70, 3/8" = 1.14
Operating Medium	Non-lubricated or lubricated air
Pressure Range	20 -140 PSI
Temperature Range	15° to 122°F (-10° to 50°C)
Port Size NPT	1/4", 3/8"
Filtration	40 micron recommended

Ordering

Model	Description
Levers Perpendicular to Body	
M212LM	1/4", 4-Way, 2-Position, Lever/Manual
M212LS	1/4", 4-Way, 2-Position, Lever/Spring
M312LS	1/4", 4-Way, 3-Position, All Ports Blocked
M213LS	3/8", 4-Way, 2-Position, Lever/Spring
M213LM	3/8", 4-Way, 2-Position, Lever/Manual
M252LM	1/4", 3-Way, 2-Position, Lever/Manual
M252LS	1/4", 3-Way, 2-Position, Lever/Spring
Levers Parallel to Body	
M212LM-R	1/4", 4-Way, 2-Position, Lever/Manual
M212LS-R	1/4", 4-Way, 2-Position, Lever/Spring



Parallel Levers



Panel Mounting is standard on
1/4" NPT Perpendicular Valves

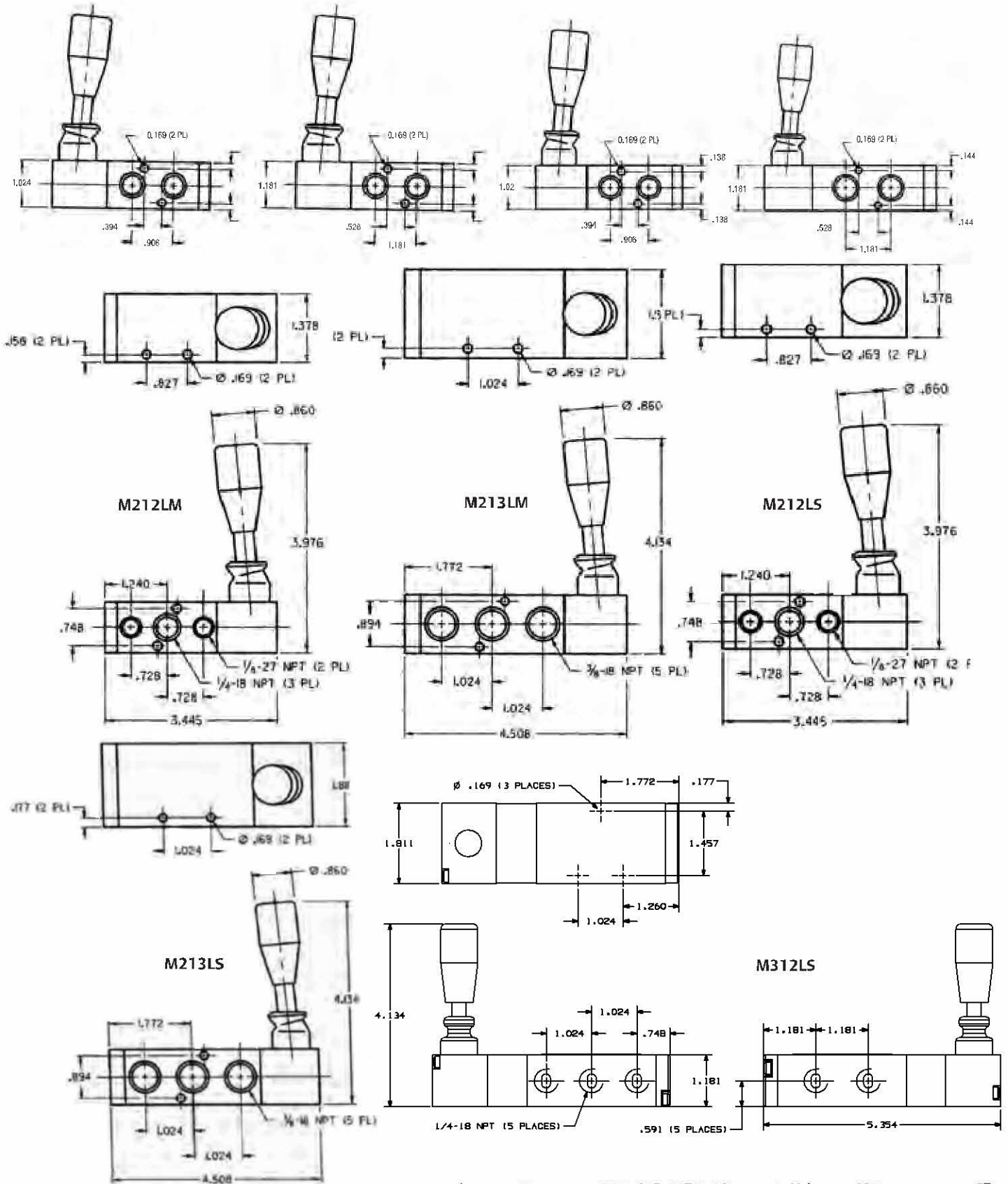
Replacement Accessories

Model	Description
114420	Black Knob
114421	Red Knob
114418	Boot for 1/4" Valve
114419	Boot for 3/8" Valve
114822	Lever

MaxAir

Dimensions

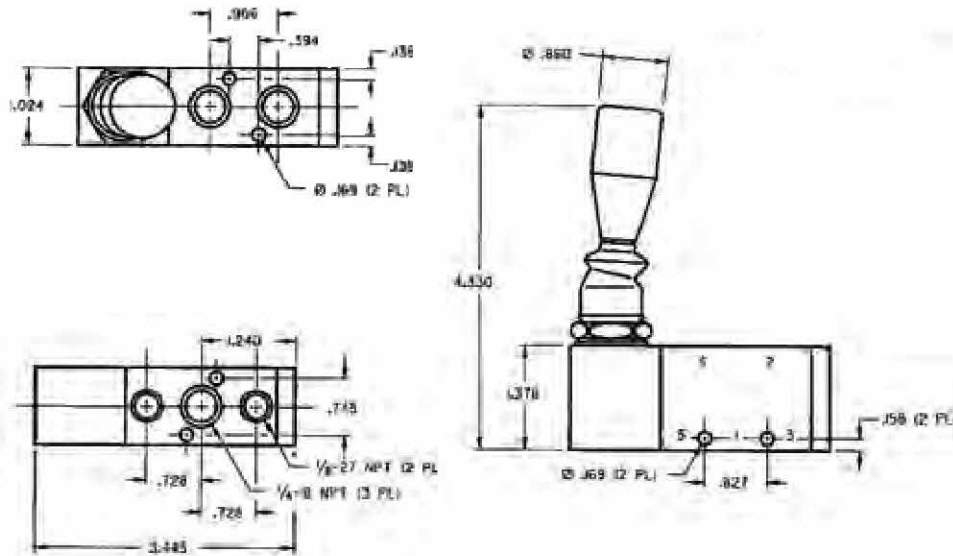
4-Way Hand Lever (Perpendicular)



MaxAir

Dimensions

4-Way Hand Lever (Parallel)



3-Way Hand Lever (Perpendicular)

