

MaxAir

Features

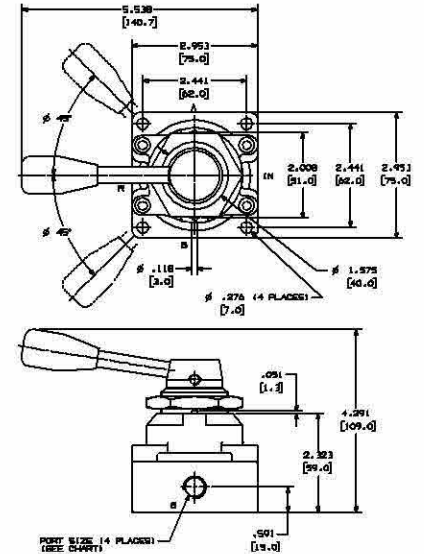
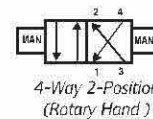
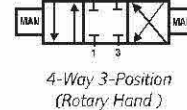
4-Way, 2 & 3-Position Rotary Lever Valves 1/4" & 3/8" 1/2" NPT Ports

- Light weight aluminum bodies and Buna-N seals are standard
- Ideal for packaging, material handling and air motor applications.
- Rotary lever valve is a 3-position, all ports blocked, manual return.
- Panel mount nut is supplied as standard.



Performance Specifications

| | |
|-------------------|-------------------------------------|
| SCFM | 1/4" = 40, 3/8" = 65, 1/2" = 85 |
| Cv (Rotary Lever) | 1/4" = 1.25, 3/8" = 2.0, 1/2" = 2.4 |
| Operating Medium | Non-lubricated or lubricated air |
| Pressure Range | 20 -140 PSI |
| Temperature Range | 15° to 122°F (-10° to 50°C) |
| Port Size NPT | 1/4", 3/8", 1/2" |
| Filtration | 40 micron recommended |



Ordering

| Model | Description |
|--------|---------------------------------|
| M112LR | 1/4", 4-Way, 2-Position, Manual |
| M113LR | 3/8", 4-Way, 2-Position, Manual |
| M114LR | 1/2", 4-Way, 2-Position, Manual |
| M512LR | 1/4", 4-Way, 3-Position, Manual |
| M513LR | 3/8", 4-Way, 3-Position, Manual |
| M514LR | 1/2", 4-Way, 3-Position, Manual |

Features

3-Way & 4-Way Foot Pedal Valves

- Rugged aluminum alloy housing and pedal provide excellent durability and are light weight
- Valves are available with a mechanical detent or as spring return
- Mechanical detent 3-way and 4-way valves have a guard for applications where accidental actuation may result in injury or damage
- Guard is safety yellow composite construction



M252FS
Foot Pedal Valve



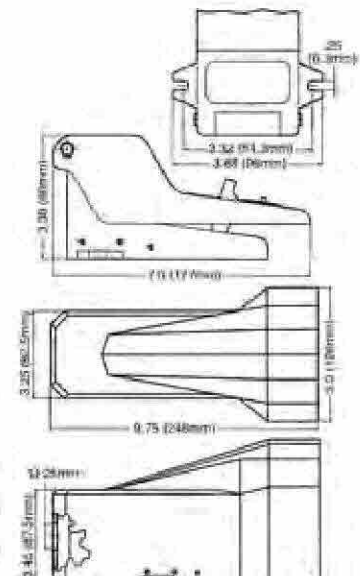
Foot Pedal Valve
Shown with Guard

Performance Specifications

| | |
|--------------------|---------------------------|
| Port Size: | 1/4" NPT |
| Pressure Range: | 30-150 PSI |
| Temperature Range: | 32° to 160°F (0° to 71°C) |
| Media | Compressed Air |

Ordering

| Model | Description |
|--------|--------------------------------------|
| M252FS | 3-Way, Spring Return, No Guard |
| M212FS | 4-Way, Spring Return, No Guard |
| M252TM | 3-Way, Mechanical Detent, With Guard |
| M212TM | 4-Way, Mechanical Detent, With Guard |
| 114417 | Guard only |
| M252TS | 3-Way, Spring Return, With Guard |
| M212TS | 4-Way, Spring Return, With Guard |
| 114645 | Clip (Foot Pedal) |



MaxAir

Features

- Rugged aluminum body is lightweight and durable.
- Valves are available with roller cam, cam stem, push button, or selector, with spring return.
- Ideal for sensing the position and controlling moving devices such as cylinders, slides and gates.
- 1/4" 3-way valves can be plumbed to perform as normally passing, normally non-passing, or selector. 1/8" 3-way can only be used as normally non-passing.
- Stock the basic cam stem valve and a selection of actuators to meet most application needs.



M291CS



M291RS



M291HS-10

3-Way, 1/8"

Performance Specifications

| | |
|---------------------------|----------------------------|
| Port size: | 1/8" NPT |
| Pressure Range: | 0-150 PSI |
| Temperature Range: | 32-160 F (0-71 C) |
| Media: | Compressed Air |
| Flow: | C _v =.2, 8 scfm |



M252CS



M252RS



M252HS-10

3-Way, 1/4"

Performance Specifications

| | |
|---------------------------|-----------------------------|
| Port size: | 1/4" NPT |
| Pressure Range: | 0-150 PSI |
| Temperature Range: | 32-160 F (0-71 C) |
| Media: | Compressed Air |
| Flow: | C _v =.7, 26 scfm |



M212CS



M212RS



M212HS-10

4-Way, 1/4"

Performance Specifications

| | |
|------------------------|-----------------------------|
| Port size: | 1/4" NPT |
| Pressure Range: | 0-150 PSI |
| Temperature: | 32-160 F (0-71 C) |
| Media: | Compressed Air |
| Flow: | C _v =.7, 26 scfm |

MaxAir



M291HS-15



M291HS-11



M291HS-13



M291LS-10



M291LS-11



M291LS-10-2

Ordering - 3-Way, 1/8" NPT

Complete Models Basic Valves

| | |
|-------------|---|
| M291HS-17 | 3-Way, Standard Palm Button, Spring Return (Green) |
| M291HS-10 | 3-Way, Standard Palm Button, Spring Return (Red) |
| M291HS-15 | 3-Way, Palm Button w/Detent, Spring Return |
| M291HS-11 | 3-Way, Palm without Guard, Spring Return |
| M291HS-13 | 3-Way, Palm w/Guard, Spring Return |
| M291LS-10 | 3-Way, Standard Selector, Manual |
| M291LS-11 | 3-Way, Long Knob Selector, Manual |
| M291RS | 3-Way, Roller Lever, Spring Return |
| M291CS | Basic Valve, 3-Way, Cam Stem, Spring Return |
| M291LS-10-2 | 3-Way, Two Valve Kit (Both valves actuate at same time) |

Actuators Only

| | |
|-----------|---------------------------------------|
| 114597-10 | Standard Palm Button Actuator (Red) |
| 114597-11 | Palm Button without Guard (Red) |
| 114597-13 | Palm Button w/Guard (Red) |
| 114597-15 | Palm Button w/Detent (e-stop) (Red) |
| 114598-10 | Standard Knob (Black) |
| 114598-11 | Long Knob (Black) |
| 114599 | Roller Lever |
| 114597-17 | Standard Palm Button Actuator (Green) |



M252HS-15



M252HS-11



M252HS-13



M252LS-10



M252LS-11

Ordering - 3-Way, 1/4" NPT

Complete Models

| | |
|-----------|--|
| M252HS-17 | 3-Way, Standard Palm Button, Spring Return (Green) |
| M252HS-10 | 3-Way, Standard Palm Button, Spring Return (Red) |
| M252HS-15 | 3-Way, Palm Button w/Detent |
| M252HS-11 | 3-Way, Palm without Guard, Spring Return |
| M252HS-13 | 3-Way, Palm w/Guard, Spring Return |
| M252LS-10 | 3-Way, Standard Selector, Manual |
| M252LS-11 | 3-Way, Long Knob Selector, Manual |
| M252RS | 3-Way, Roller Lever, Spring Return |
| M252CS | Basic Valve, 3-Way, Cam Stem, Spring Return |

Actuators Only

| | |
|-----------|---------------------------------------|
| 114597-10 | Standard Palm Button Actuator (Red) |
| 114597-11 | Palm Button without Guard (Red) |
| 114597-13 | Palm Button w/Guard (Red) |
| 114597-15 | Palm Button w/Detent (e-stop) (Red) |
| 114598-10 | Standard Knob (Black) |
| 114598-11 | Long Knob (Black) |
| 114599 | Roller Lever |
| 114597-17 | Standard Palm Button Actuator (Green) |



M212HS-15



M212HS-11



M212HS-13



M212LS-10



M212LS-11

Ordering - 4-Way, 1/4" NPT

Complete Models

| | |
|-----------|--|
| M212HS-17 | 4-Way, Standard Palm Button, Spring Return (Green) |
| M212HS-10 | 4-Way, Standard Palm Button, Spring Return (Red) |
| M212HS-15 | 4-Way, Palm Button w/Detent, Spring Return |
| M212HS-11 | 4-Way, Palm without Guard, Spring Return |
| M212HS-13 | 4-Way, Palm w/Guard, Spring Return |
| M212LS-10 | 4-Way, Standard Selector, Manual |
| M212LS-11 | 4-Way, Long Knob Selector, Manual |
| M212RS | 4-Way, Roller Lever, Spring Return |
| M212CS | Basic Valve, 4-Way, Cam Stem, Spring Return |

Actuators Only

| | |
|-----------|---------------------------------------|
| 114597-10 | Standard Palm Button Actuator (Red) |
| 114597-11 | Palm Button without Guard (Red) |
| 114597-13 | Palm Button w/Guard (Red) |
| 114597-15 | Palm Button w/Detent (e-stop) (Red) |
| 114598-10 | Standard Knob (Black) |
| 114598-11 | Long Knob (Black) |
| 114599 | Roller Lever |
| 114597-17 | Standard Palm Button Actuator (Green) |