

MaxAir

2-Way Direct Acting Solenoid Valves

- Valves are direct acting, normally closed for fast response and are excellent for low operating pressure applications
- Die-cast brass body, stainless steel stem and buna-n diaphragm provide excellent durability
- Suitable for use with water, air, lightweight oil, liquid gas and vacuum*
- Available with 12 VDC, 24 VDC & 120VAC coils

2-Way Solenoid/Pilot Acting Valves

- Valves are internally piloted, normally closed & are excellent for high flow applications
- Die-cast brass body, stainless steel stem and buna-n diaphragm provide excellent durability
- Suitable for use with water, air, lightweight oil and liquid gas
- Available with 12 VDC, 24 VDC and 120VAC coils

2-Way Stainless Steel Solenoid/Pilot Acting Valves

- Valves are internally piloted, normally closed and are excellent for high flow applications
- #304 stainless steel body, stainless steel stem and viton diaphragm provide excellent durability
- Suitable for use with beverage dispensing, water, air, lightweight oil, liquid gas and most chemical liquids
- Available with 12 VDC, 24 VDC & 120VAC coils



TB034B-120-A

TB066B-120-A



TB04EB-120-A



TS04EV-120-A

Model No.	Port Size	Orifice	Cv	SCFM	Pressure Range (PSI)
2-Way Direct Acting Solenoid Valves					
TB011B-XXX-X	1/8" NPT	3/64" (1.2mm)	0.1	3	AC = 120, DC = 100
TB022B-XXX-X	1/4" NPT	3/32" (2.3 mm)	0.18	5	AC = 120, DC = 100
TB034B-XXX-X	3/8" NPT	5/16" (8.0 mm)	1.0	28	AC = 140, DC = 100
TB035B-XXX-X	3/8" NPT	33/64" (13 mm)	4.5	126	AC = 120, DC = 100
TB045B-XXX-X	1/2" NPT	33/64" (13 mm)	4.5	126	AC = 120, DC = 100
TB066B-XXX-X	3/4" NPT	25/32" (20 mm)	8.6	240	AC = 120, DC = 85
TB087B-XXX-X	1" NPT	1" (25 mm)	11	308	AC = 100, DC = 70
2-Way Solenoid/Pilot Acting Valves					
TB03EB-XXX-X	3/8" NPT	33/64" (13 mm)	4.5	126	10-150
TB04EB-XXX-X	1/2" NPT	33/64" (13 mm)	4.5	126	10-150
TB06HB-XXX-X	3/4" NPT	1" (25 mm)	12	336	10-150
TB08HB-XXX-X	1" NPT	1" (25 mm)	12	336	10-150
TB12JB-XXX-X	1-1/4" NPT	1-1/2" (38 mm)	22	615	10-150
TB14JB-XXX-X	1-1/2" NPT	1-1/2" (38 mm)	22	615	10-150
2-Way Stainless Steel Solenoid/Pilot Acting Valves					
TS03EV-XXX-X	3/8" NPT	33/64" (13 mm)	4.5	126	10-150
TS04EV-XXX-X	1/2" NPT	33/64" (13 mm)	4.5	126	10-150
TS06HV-XXX-X	3/4" NPT	1" (25 mm)	12	336	10-150
TS08HV-XXX-X	1" NPT	1" (25 mm)	12	336	10-150
TS12JV-XXX-X	1-1/4" NPT	1-1/2" (38 mm)	22	615	10-150
TS14JV-XXX-X	1-1/2" NPT	1-1/2" (38 mm)	30	839	10-150
TS20KV-XXX-X	2" NPT	2" (50 mm)	48	1343	10-150

Ordering

(Replace XXX-X with voltage requirement)

- 000-N** No Coil
- 012-D** 12 VDC
- 024-D** 24 VDC
- 024-A** 24 VAC
- 120-A** 120 VAC

Performance Specifications

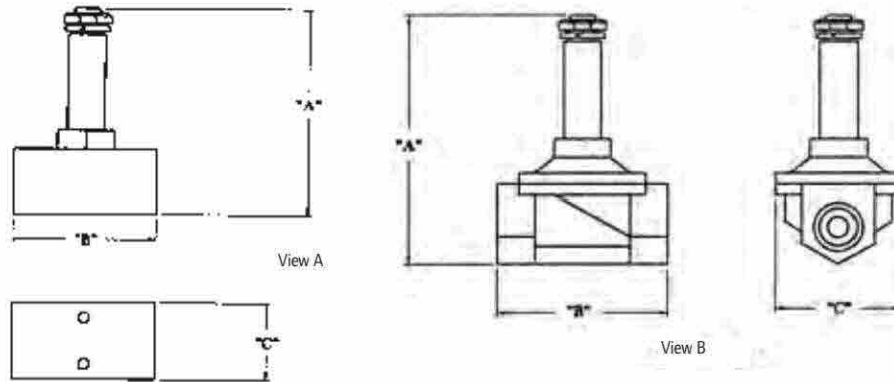
- Temperature Range:** 0° - 180° F
- Duty Cycle:** 100%
- Power Consumption:** 22 VA
- Response Time:** 30 ms
50 ms

NOTE: Connector is to be ordered separately. See page 69 for ordering information.

* Vacuum operation only available with TB011B-X, TB022B-X and TB034B-X.

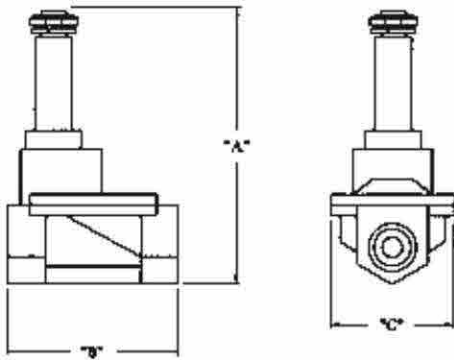
MaxAir

2-Way Direct Acting



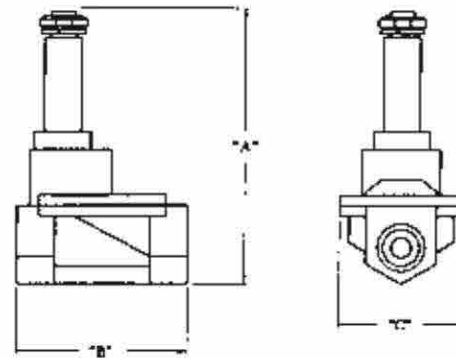
P/N	View	"A"	"B"	"C"	Port Size	Repair Kit
TB011B-XXX-X	A	2.835	.866	.866	1/8	-
TB022B-XXX-X	A	2.972	1.378	1.000	1/4	-
TB034B-XXX-X	A	3.130	2.165	1.181	3/8	-
TB035B-XXX-X	B	4.232	2.618	1.890	3/8	SKT035B
TB045B-XXX-X	B	4.232	2.618	1.890	1/2	SKT045B
TB066B-XXX-X	B	4.449	2.795	2.283	3/4	SKT066B
TB087B-XXX-X	B	4.921	3.780	2.756	1	SKT087B

2-Way Solenoid/Pilot Acting



P/N	"A"	"B"	"C"	Port Size	Repair Kit
TB03EB-XXX-X	4.193	2.618	1.890	3/8	SKT03EB
TB04EB-XXX-X	4.193	2.618	1.890	1/2	SKT04EB
TB06HB-XXX-X	4.961	3.780	2.756	3/4	SKT06HB
TB08HB-XXX-X	4.961	3.780	2.756	1	SKT08HB
TB12JB-XXX-X	5.728	5.157	3.780	1-1/4	SKT12JB
TB14JB-XXX-X	5.728	5.157	3.780	1-1/2	SKT14JB

2-Way Stainless Steel



P/N	"A"	"B"	"C"	Port Size	Repair Kit
TS03EV-XXX-X	4.193	2.618	1.890	3/8	SKT03EV
TS04EV-XXX-X	4.193	2.618	1.890	1/2	SKT04EV
TS06HV-XXX-X	4.980	3.937	2.756	3/4	SKT06HV
TS08HV-XXX-X	4.980	3.937	2.756	1	SKT08HV
TS12JV-XXX-X	5.728	5.157	3.780	1-1/4	SKT12JV
TS14JV-XXX-X	5.728	5.157	3.780	1-1/2	SKT14JV
TS20KV-XXX-X	6.319	6.299	4.409	2	SKT20KV