

K Series

Features

Several Styles and Options

- 5-Port, 4-Way, 2 and 3-position directional control valves.

Numerous Actuator Styles

Manual	Electric	Pneumatic
Hand Lever	Single Solenoid	Pilot
Palm Button	Double Solenoid	Bleed
Pedal		
Treadle		

Comprehensive Valve Design

Aluminum Body

Sand cast aluminum body provides a rugged, reliable valve.

Buna N Seals

Standard seals are Buna N, for extended valve life. Viton seals are available for high temperature applications. Consult factory for ordering information.

Sturdy Spools

K-Series valves have an aluminum spool. This slides in a hard anodized Teflon non-stick aluminum sleeve (3/8" or 1/2" models) The sleeves are brass on 3/4" or 1" models.

Standard Solenoid Override Feature

3/8" and 1/2" models only.

External Solenoid

External Solenoid supply port enables valve operation for vacuum service or low pressure operations. For proper supply connection, consult factory. (Remove end cap and rotate gasket 90° for remote solenoid supply.)



Hand Lever



Pedal



Treadle



Solenoids



Pilot



Bleed

K Series

Ordering

Position	1	2	3	4	5		6		7
Example:	K	X	1	X	XX	-	XXX	-	X

Position 1 Body Style	Position 2 Valve Type	Position 3 Body Style	Position 4 Port Size	Position 5 Actuation/Return*	Position 6 Coil Voltage	Position 7 Current Type
K K Series	2 2 Position 3 3 Position Spring Centered 5 3 Position Detent (3 & 5, all ports blocked in neutral) 6 3 Position Detent (inlet ports blocked, cylinder ports open in neutral) 7 3 Position Spring Centered (6 & 7, inlet ports blocked, cylinder ports open in neutral)	1 4 Way Side Ported	3 3/8" NPT 4 1/2" NPT 6 3/4" NPT 8 1" NPT	BD Bleed/Bleed BS Bleed/Spring *FP Pedal/Pilot *FS Pedal/Spring **HS Palm/Spring *LM Hand Lever/Manual *LS Hand Lever/Spring PD Pilot/Pilot PS Pilot/Spring SD Solenoid/Solenoid SS Solenoid/Spring *TM Treadle/Manual <small>*FP, FS, LM, LS & TS available in 3/8" and 1/2" port sizes only. Numbering ends here if a Non-Solenoid valve is being selected. **HS available in 3/8" port size only.</small>	000 No coil 012 12V AC or DC 024 24V AC or DC 120 120V AC or DC 240 240V AC only <small>Required only when ordering Solenoid Valves.</small>	A AC D DC N No Coil <small>Required only on Solenoid Valves If coil option A or D is selected, a coil connector must be ordered. See Pg. 69 for coil & connector information.</small>

Performance Specifications

Temperature Ratings: -10° to 180° F (-23° to 82° C)

Lubrication: Valves use O-ring seals. For maximum performance and life expectancy, standard air line lubrication should be used.

Flow & Cv Factor:

Port Size	Flow	Cv Factor
3/8"	83 SCFM	2.30
1/2"	90 SCFM	2.57
3/4"	270 SCFM	7.54
1"	280 SCFM	7.80



20965-X Foot Pedal Guards, for use with Pedal Style valves. See Pg. 43 (bottom) for details.

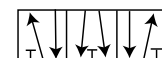
	Pressure Range PSI (Bar)	Minimum Pilot Pressure PSI (Bar)
Manual Actuators		
Manual, Spring, and Pilot	0-150 (0-10.4)	20 (1.4)
Mechanical Actuators		
Manual, Spring, and Pilot	0-150 (0-10.4)	20 (1.4)
Electric Actuators		
Spring Return	50-150 (3.5-10.4)	
Spring Centered Return	60-150 (4.1-10.4)	
Solenoid Return	20-150 (1.4-10.4)	
Pneumatic Actuators		
Pilot/Spring Return	0-150 (0-10.4)	50 (3.5)
Pilot/Spring Centered	0-150 (0-10.4)	60 (4.1)
Pilot/Pilot Return	50-150 (3.5-10.4)	20 (1.4)
Bleed/Spring Return	50-150 (3.5-10.4)	
Bleed/Bleed	20-150 (1.4-10.4)	



2-Position



3-Position, inlet ports blocked

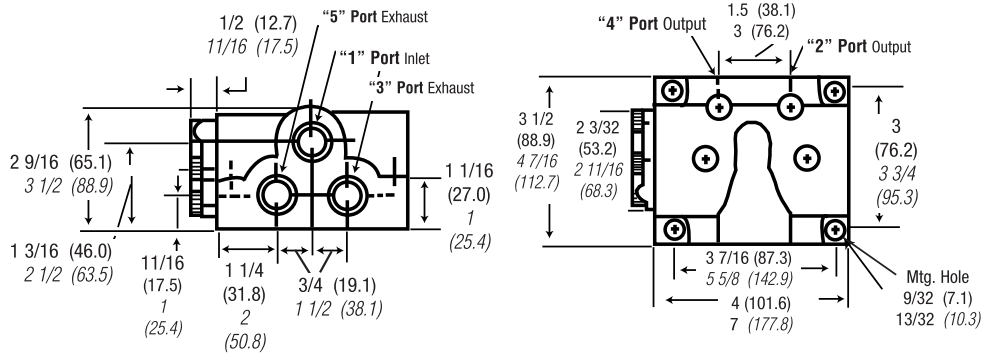


3-Position, inlet blocked, cylinder ports open

K Series

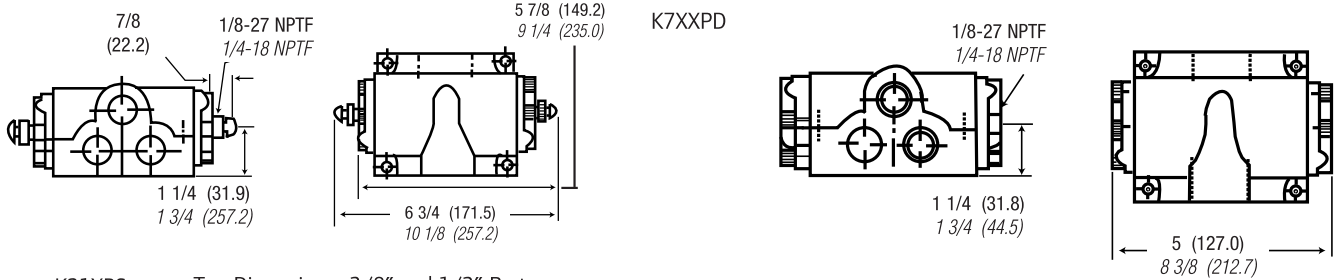
▀ **Dimensions** Dimensions given in Inches and (Millimeters)

Basic Valves



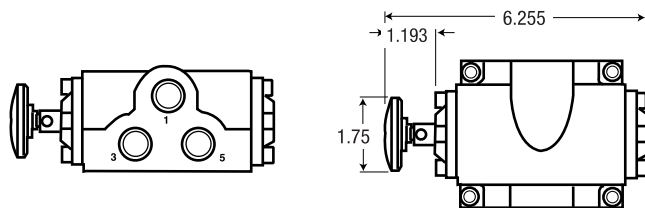
Pilot and Bleed Valves

K2XXPS
K2XXPD
K3XXPD
K7XXPD



K21XBS Top Dimension = 3/8" and 1/2" Ports
K21XBD Bottom Dimensions = 3/4" and 1" Ports

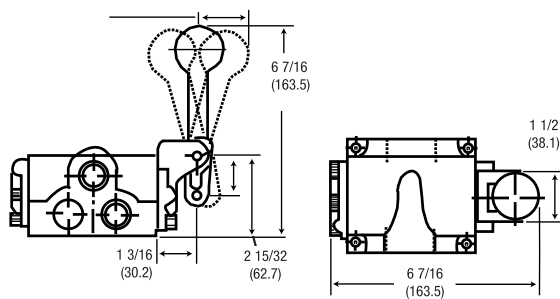
Palm Valves



K213HS

K Series

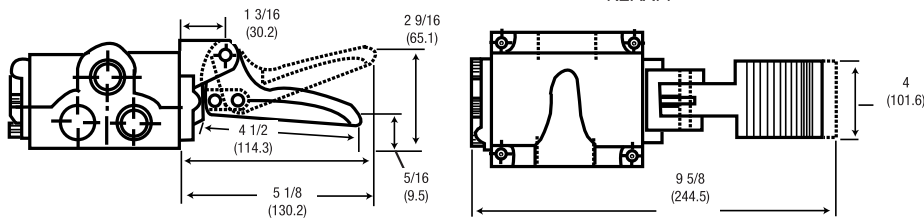
Hand Lever



K2XXLM
K3XXLM
K5XXLM
K6XXLM
K7XXLM
K2XXLS

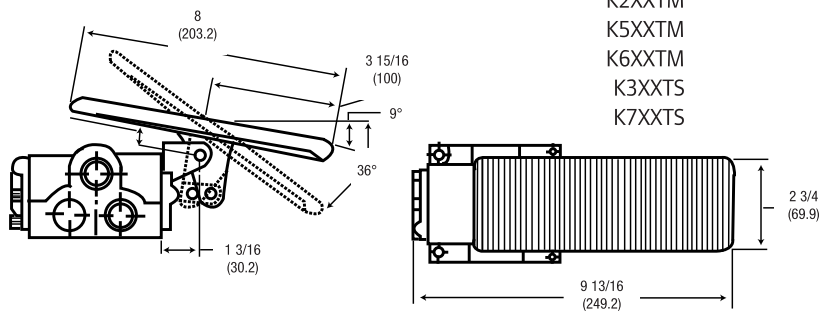
Top Dimension = 3/8" and 1/2" Ports
Bottom Dimensions = 3/4" and 1" Ports

Pedal



K2XXFS
K2XXFP

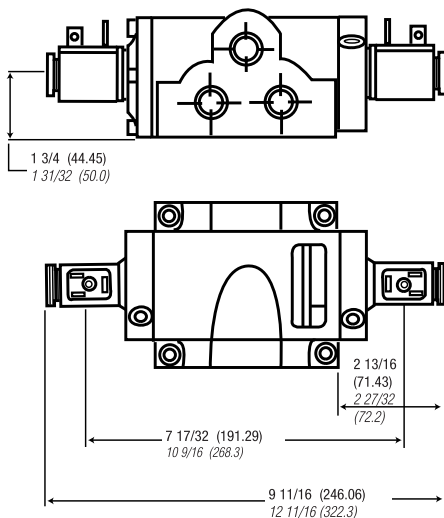
Treadle



K2XXTM
K5XXTM
K6XXTM
K3XXTS
K7XXTS

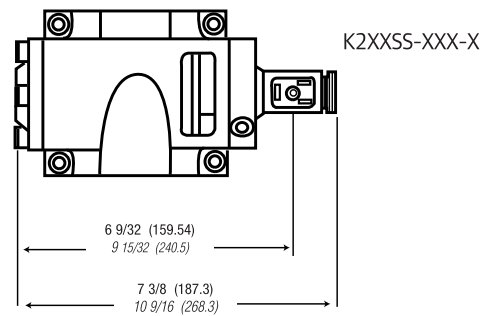
Solenoid

Double Solenoid



K2XXSD-XXX-X
K3XXSD-XXX-X
K7XXSD-XXX-X

Single Solenoid



K2XXSS-XXX-X

Top Dimension = 3/8" and 1/2" Ports
Bottom Dimensions = 3/4" and 1" Ports