

50 Series

Features

50 Series 3-Way & 4-Way Valves

- Numerous Styles and Options
 - 3-Way or 4-Way Configurations
- Six Actuator Styles.
 - Hand Lever Cam Stem
 - Palm Button Pilot
 - Roller Cam Manual Bleed
- Compact Size provides greater design flexibility
- Perfect for low to moderate flow applications requiring manual or mechanical valve operation

Comprehensive Valve Design

Aluminum Body

50 Series Valves feature an extruded aluminum body for less porosity, greater durability and lighter weight.

Body Threaded Ports

Port threads are 1/8" NPTF

Buna N Seals

The standard spool seals are Buna N.

For high temperature applications, Viton seals are available.

Consult the factory for ordering information.

Sturdy Valve Spools

Spools are steel on mechanical and manually actuated valves.

Pilot and bleed actuator valves feature aluminum spools.



Hand Lever



Palm Button



Roller Cam



Cam Stem



Pilot



Manual Bleed

50 Series

Ordering

3-Way and 4-Way Valves

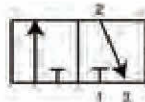
Position	1	2	3		4
Example:	50	X	X	-	XX

Position 1 Series	Position 2 Valve Function	Position 3 Body Style	Position 4 Actuation/Return			
50 50 Series	3 3-Way	0 1/8" Side Ports 1* 1/8" Side Ports with panel mounting <small>*Available only with Palm Button Actuators (02, 12, 21, 32, 41)</small>	Code	Actuator/Return	Code	Actuator/Return
	4 4-Way		01 Hand Lever/Spring	05 Roller Cam/Spring		
			10 Hand Lever/Manual	06 Cam Stem/Spring	06 Cam Stem/Spring	06 Cam Stem/Spring
			20 Hand Lever/Pilot	07 Pilot/Spring	07 Pilot/Spring	07 Pilot/Spring
			02 Palm Button/Spring	12 Palm Button/Manual	12 Palm Button/Manual	12 Palm Button/Manual
			12 Palm Button/Manual	21 Palm Button/Pilot	21 Palm Button/Pilot	21 Palm Button/Pilot
			21 Palm Button/Pilot	32 Palm w/o Button/Manual	32 Palm w/o Button/Manual	32 Palm w/o Button/Manual
			32 Palm w/o Button/Manual	41 Palm w/o Button/Pilot	41 Palm w/o Button/Pilot	41 Palm w/o Button/Pilot
			41 Palm w/o Button/Pilot	07 Pilot/Spring	07 Pilot/Spring	07 Pilot/Spring
				35 Pilot/Pilot	35 Pilot/Pilot	35 Pilot/Pilot
				33 Manual Bleed/Manual Bleed	33 Manual Bleed/Manual Bleed	33 Manual Bleed/Manual Bleed

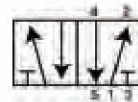
Optional Palm Buttons

Code	Description
13111	Plastic, Black
119243	Metal, Plain
119244	Metal, Red
119245	Metal, Green
MP3651-7	Plastic, Red

For 32 or 41 Actuators



3-Way



4-Way

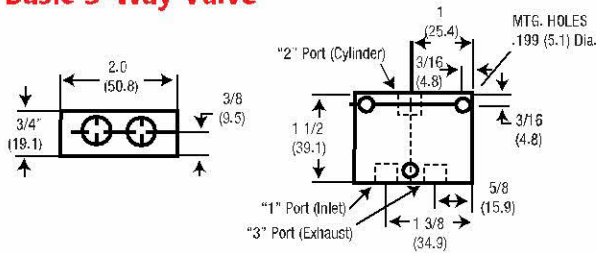
Performance Specifications

Pressure Range:	20-150 PSI Max. 50-150 PSI Max. (Manual Bleed Actuator)
Flow:	16 SCFM
Cv Factor:	.43 Cv
Temperature Rating:	-10° to 180°F (-23° to 82°C)
Minimum Pilot Pressure:	30 PSI (2.1 Bar) Pilot Return 60 PSI (4.2 Bar) Pilot Actuator/Spring Return Valves
Lubrication:	Valves use O-ring seals. For maximum performance and life expectancy, standard air line lubrication should be used.

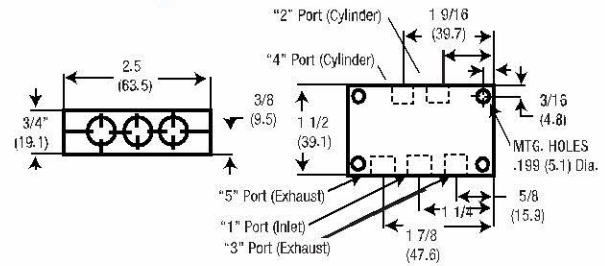
50 Series

► **Dimensions** Dimensions given in Inches and (Millimeters)

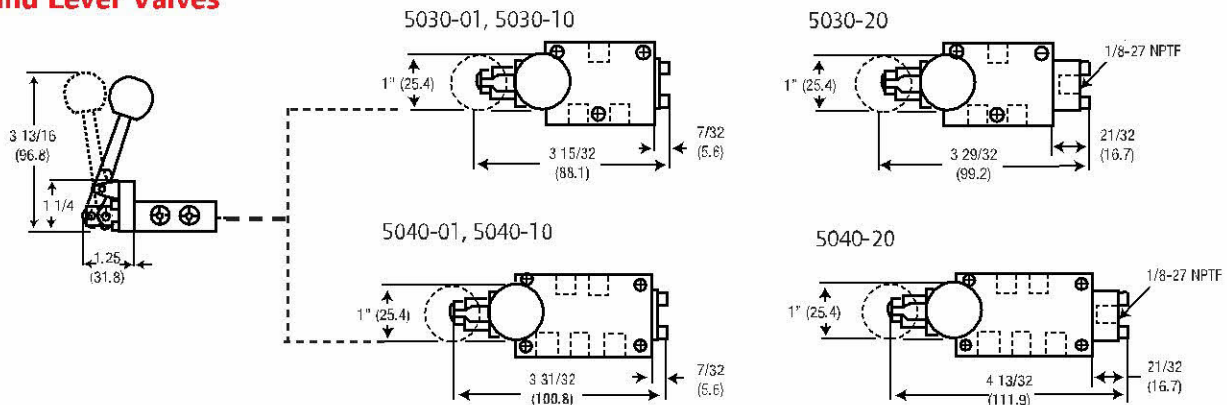
Basic 3-Way Valve



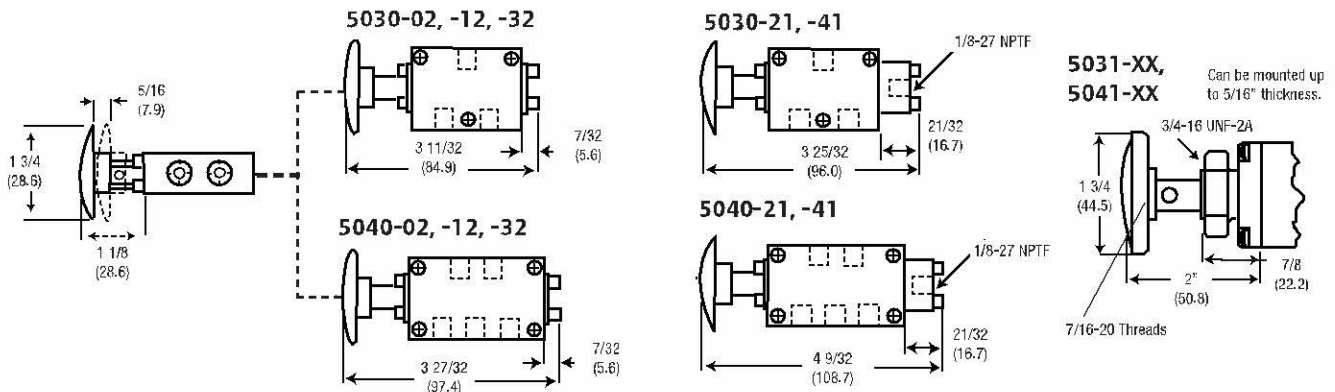
Basic 4-Way Valve



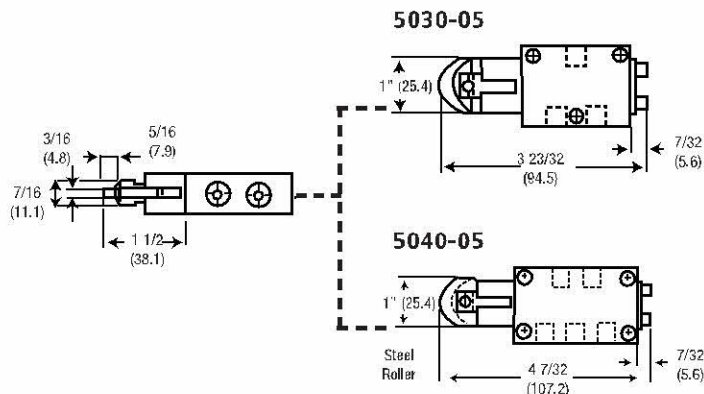
Hand Lever Valves



Palm Button Valves

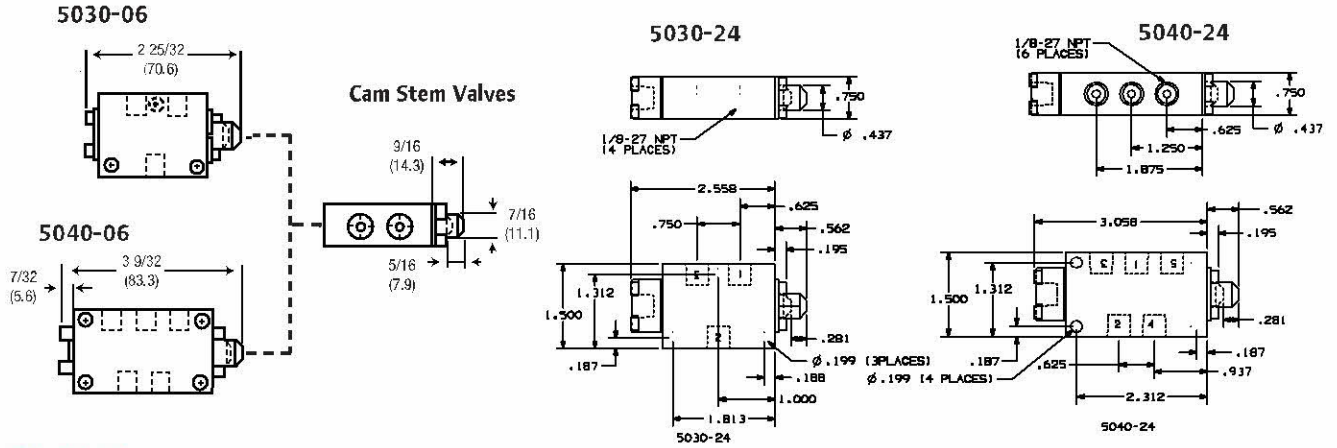


Roller Cam Valves

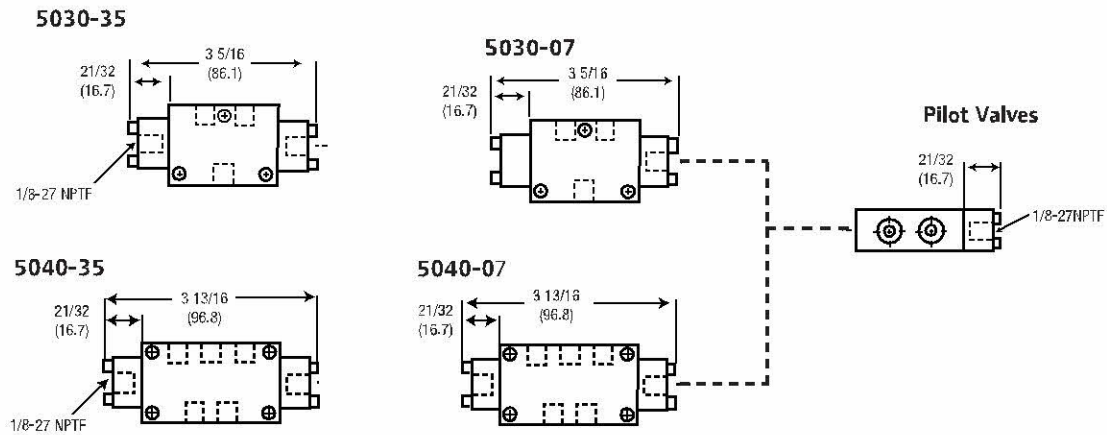


50 Series

Cam Stem Valves



Pilot Valves



Manual Bleed Valves

